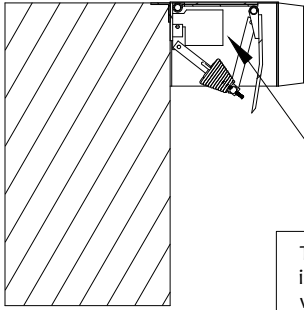


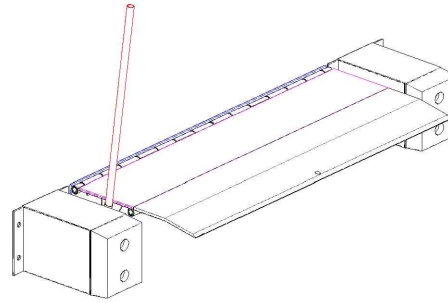
# MECHANICAL EDGE OF DOCK

**SIDE VIEW**

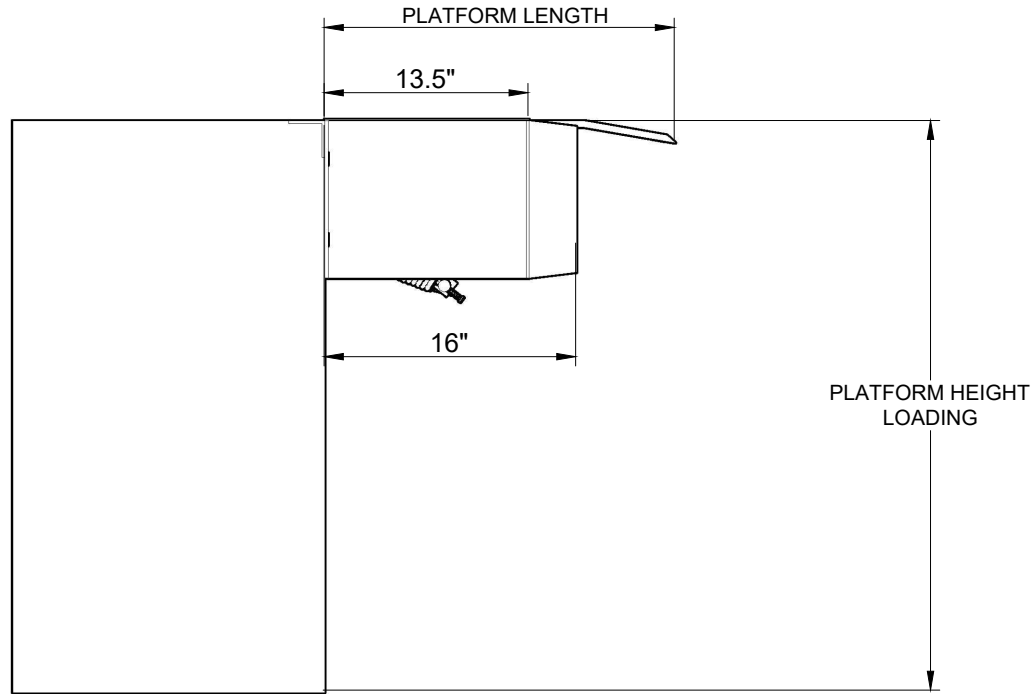


The location of the mechanism is under the mindock where it is installed.

**ISOMETRIC VIEW**



**SIDE VIEW DETAIL**



OBSERVATIONS ON THE EQUIPMENT	

PARTS LIST		
Item	Description	Qty
1		
2		
3		
4		

MODIFICATIONS			
Rev.	Request	Description	Date
1	Engineering	Emission for production	06/07/2022
2	-----	-----	-----
3	-----	-----	-----
4	-----	-----	-----

Table 1 of Tolerances:  
 xxxx ± 2mm  
 xxx ± 2mm  
 xx ± 1mm  
 x ± 1mm  
 ∠ ± 1°  
 ∅ xxxx ± 2mm  
 ∅ xxx ± 2mm  
 ∅ xx ± 0.5mm  
 ∅ x ± 0.2mm

OBSERVATIONS	
TOLERANCE SUMS ARE NOT ALLOWED IN TOTAL DIMENSIONS.	
WEIGHT:	

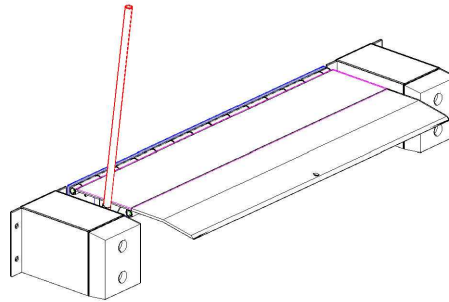
Design:	Reviewed:	Approved:	Date
A. Gonzalez	G. Resendiz	G. Resendiz	06/07/2022

Dimensional unit	Geometric Tolerances	Standard drawing	Projection
Millimeters	Reference Table 1 of Tolerances		

Equipment name:	Mechanical Edge of Dock
Capacity:	30,000 LB

# MECHANICAL EDGE OF DOCK

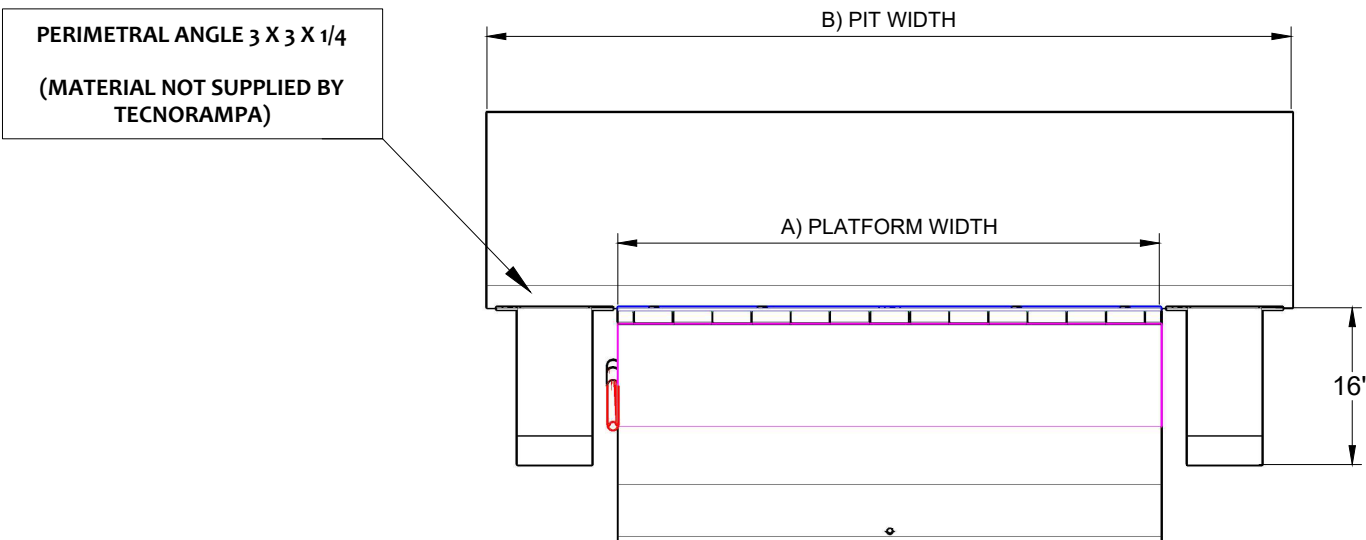
ISOMETRIC VIEW



INSTALLATION DETAILS

MODEL (Nominal Size)		PLATFORM DIMENSIONS				PIT SPECIFICATIONS				LOADING PLATFORM HEIGHT
		WIDTH		LENGTH		WIDTH		LENGTH		HEIGHT
mm	Ft (pies)	mm	pulg.	mm	pulg.	mm	pulg.	mm	pulg.	mm
1829x398	6'x 1'-3"	398	1'-3"	1829	6"	76.2	3"	2710	106-11/16"	1200

TOP VIEW DETAIL



OBSERVATIONS ON THE EQUIPMENT

WIDTH	
A	B
66"	95"
72"	101"

PARTS LIST

Item	Description	Qty
1		
2		
3		

MODIFICATIONS

Rev.	Request	Description	Date
1	Engineering	Emission for production	06/07/2022
2	-----	-----	-----
3	-----	-----	-----
4	-----	-----	-----

Table 1 of Tolerances:  
 xxxx ± 2mm  
 xxx ± 2mm  
 xx ± 1mm  
 x ± 1mm  
 ∠ ± 1°  
 ∅ xxxx ± 2mm  
 ∅ xxx ± 2mm  
 ∅ xx ± 0.5mm  
 ∅ x ± 0.2mm

OBSERVATIONS

TOLERANCE SUMS ARE NOT ALLOWED IN TOTAL DIMENSIONS.

WEIGHT:

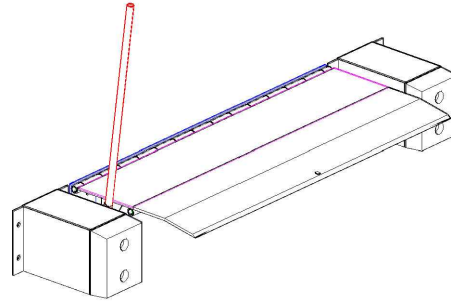
Design:	Reviewed:	Approved:	Date
A. Gonzalez	G. Resendiz	G. Resendiz	06/07/2022

Dimensional unit	Geometric Tolerances	Standard drawing	Projection
Millimeters	Reference Table 1 of Tolerances		

Equipment name:	Mechanical Edge of Dock
Capacity:	30,000 LB

# MECHANICAL EDGE OF DOCK

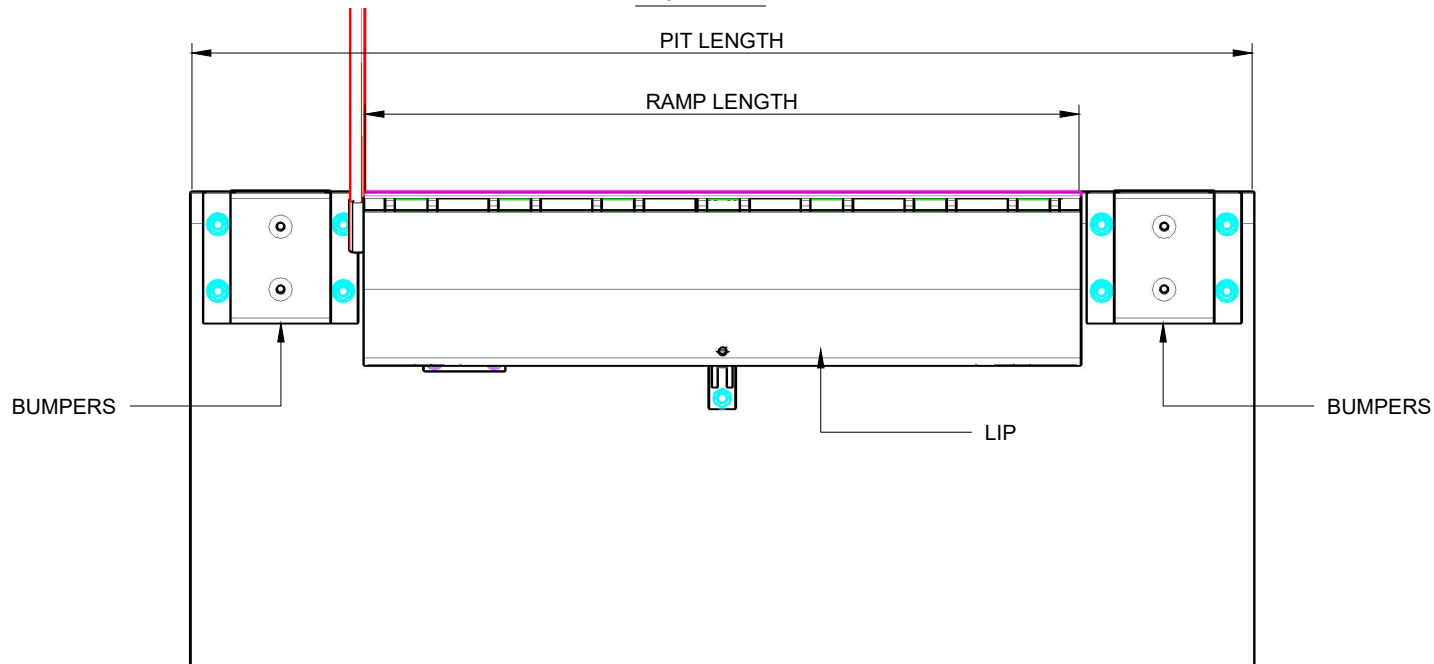
ISOMETRIC VIEW



INSTALLATION DETAILS

MODEL (Nominal Size)		PLATFORM DIMENSIONS				PIT SPECIFICATIONS				LOADING PLATFORM HEIGHT
		WIDTH		LENGTH		WIDTH		LENGTH		HEIGHT
mm	Ft (pies)	mm	pulg.	mm	pulg.	mm	pulg.	mm	pulg.	mm
1829x398	6'x 1'-3"	398	1'-3"	1829	6"	76.2	3"	2710	106- 11/16"	1200

FRONT VIEW



Item	Description	Qty
1		
2		
3		

Rev.	Request	Description	Date
1	Engineering	Emission for production	06/07/2022
2	-----	-----	-----
3	-----	-----	-----
4	-----	-----	-----

MODIFICATIONS			
Rev.	Request	Description	Date
1	Engineering	Emission for production	06/07/2022
2	-----	-----	-----
3	-----	-----	-----
4	-----	-----	-----

OBSERVATIONS	
Table 1 of Tolerances: xxxx ± 2mm xxx ± 2mm xx ± 1mm x ± 1mm ∠ ± 1° ∅ xxxx ± 2mm ∅ xxx ± 2mm ∅ xx ± 0.5mm ∅ x ± 0.2mm	TOLERANCE SUMS ARE NOT ALLOWED IN TOTAL DIMENSIONS.  WEIGHT:

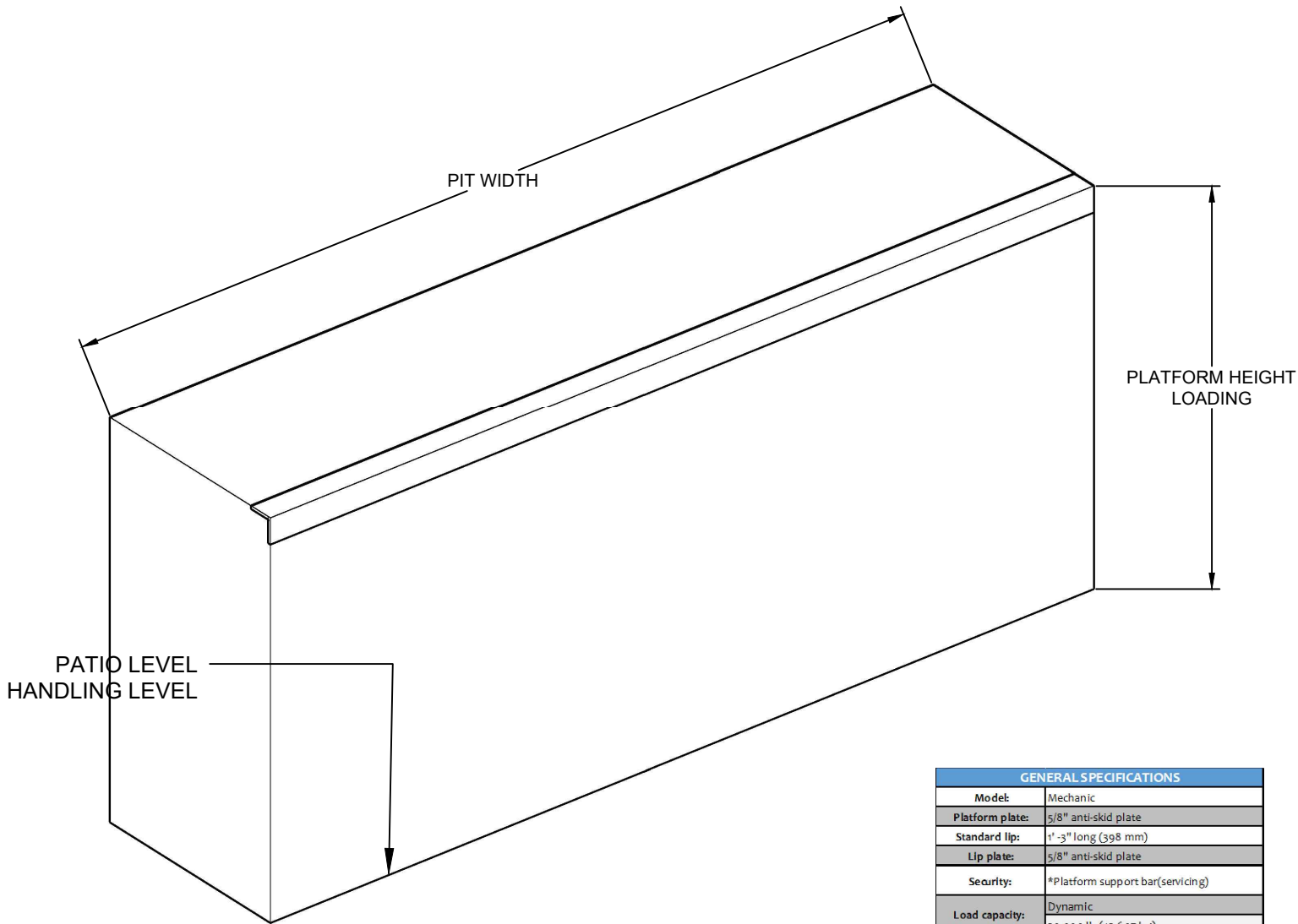
Design:	Reviewed:	Approved:	Date
A. Gonzalez	G. Resendiz	G. Resendiz	06/07/2022

Dimensional unit	Geometric Tolerances	Standard drawing	Projection
Millimeters	Reference Table 1 of Tolerances		

Equipment name:	Mechanical Edge of Dock
Capacity:	30,000 LB

# MECHANICAL EDGE OF DOCK

## ISOMETRIC VIEW PREPARATION FOR INSTALLATION



OBSERVATIONS ON THE EQUIPMENT	

PARTS LIST		
Item	Description	Qty
1		
2		
3		

MODIFICATIONS			
Rev.	Request	Description	Date
1	Engineering	Emission for production	06/07/2022
2	-----	-----	-----
3	-----	-----	-----
4	-----	-----	-----

OBSERVATIONS	
TOLERANCE SUMS ARE NOT ALLOWED IN TOTAL DIMENSIONS.	
Table 1 of Tolerances: xxxx ± 2mm xxx ± 2mm xx ± 1mm x ± 1mm ∠ ± 1° ∅ xxxx ± 2mm ∅ xxx ± 2mm ∅ xx ± 0.5mm ∅ x ± 0.2mm	WEIGHT:

GENERAL SPECIFICATIONS	
Model:	Mechanic
Platform plate:	5/8" anti-skid plate
Standard lip:	1' -3" long (398 mm)
Lip plate:	5/8" anti-skid plate
Security:	*Platform support bar(servicing)
Load capacity:	Dynamic 30,000 lb (13,607 kg)
Acabado:	Finished:

Design:	Reviewed:	Approved:	Date
A. Gonzalez	G. Resendiz	G. Resendiz	06/07/2022

Dimensional unit	Geometric Tolerances	Standard drawing	Projection
Millimeters	Reference Table 1 of Tolerances		

Equipment name:	Mechanical Edge of Dock
Capacity:	30,000 LB