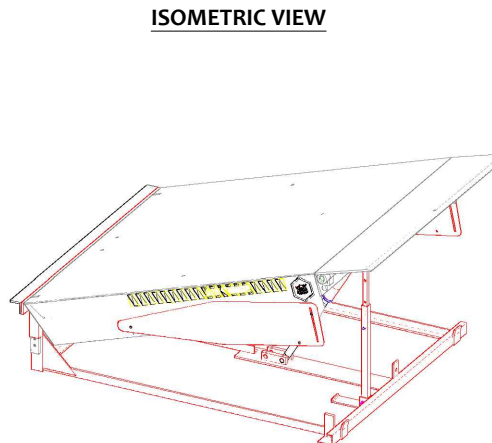
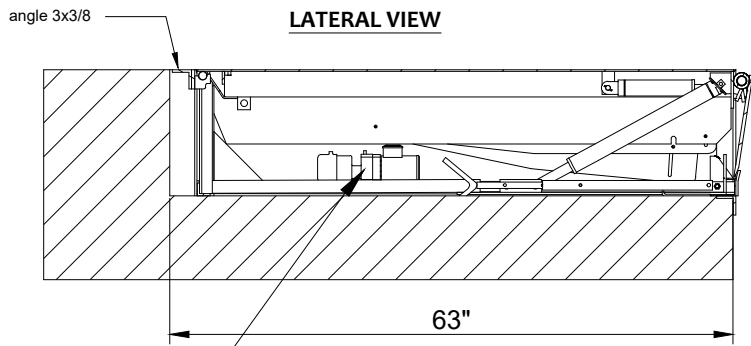


# HYDRAULIC DOCK LEVELER



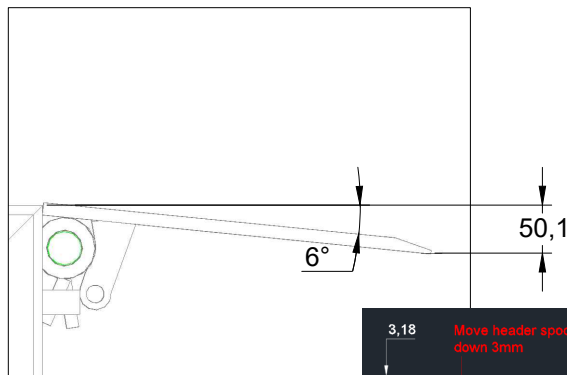
The location of the hydraulic unit is inside the same pit where the ramp is located.

Approved with change noted.

*Eric Demerath* 5-23-23

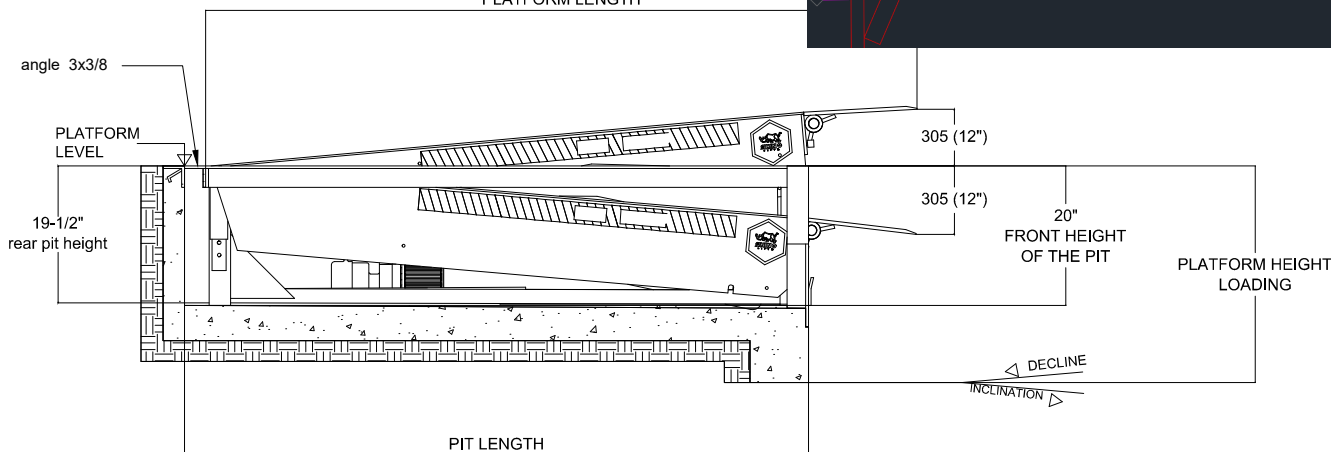
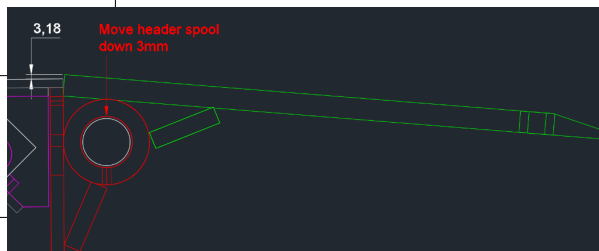
Model reviewed by Dockzilla.  
"MODELO NH 6X7 30K L16 especial.DWG"

[https://dockzilla.sharepoint.com/:u:/s/Engineering/EVegZdku7WtHiGI05H\\_JqHgB5H6TPctTX3EIh93BUbzJwQ?e=2BNVY3](https://dockzilla.sharepoint.com/:u:/s/Engineering/EVegZdku7WtHiGI05H_JqHgB5H6TPctTX3EIh93BUbzJwQ?e=2BNVY3)



LATERAL VIEW DETAIL

PLATFORM LENGTH



## COMMENTS ON THE EQUIPMENT

## PARTS LIST

Item	Description	Qty
1	Mecanismo para cilindro	1
2	Mecanismo para plataforma	1
3	Baston de seguridad para plataforma	2

## MODIFICATIONS

Rev.	Request	Description	Date
1	Engineering	Issuance for Production	08/05/2023
2	-----	-----	-----
3	-----	-----	-----
4	-----	-----	-----

## Tolerances

Table 1:  
 xxx ± 2mm  
 xxx ± 2mm  
 xx ± 1mm  
 x ± 1mm  
 ∠ ± 1°  
 ∅ xxx ± 2mm  
 ∅ xxx ± 2mm  
 ∅ xx ± 0.5mm  
 ∅ x ± 0.2mm

## REMARKS

TOLERANCE SUMS ARE NOT ALLOWED IN THE OVERALL DIMENSIONS.

WEIGHT:

Design:	Reviewed:	Approved:	Date:
A. Gonzalez	G. Resendiz	G. Resendiz	08/05/2023

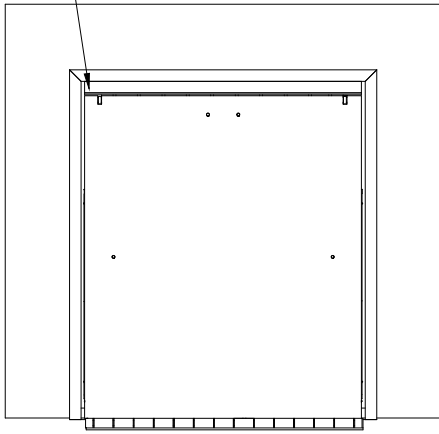
Dimensional unit	Geometric Tolerances	Standard drawing	Projection
Millimeters	Reference Table 1 of Tolerances		

Name of equipment:	HYDRAULIC DOCK LEVELER
Capacity:	LEVELER FOR 30,000 LBS
	6X7 FT

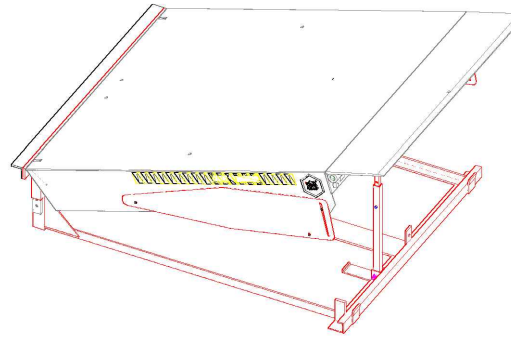
# HYDRAULIC DOCK LEVELER

angle 3x3/8

TOP VIEW



ISOMETRIC VIEW



COMMENTS ON THE EQUIPMENT

PARTS LIST

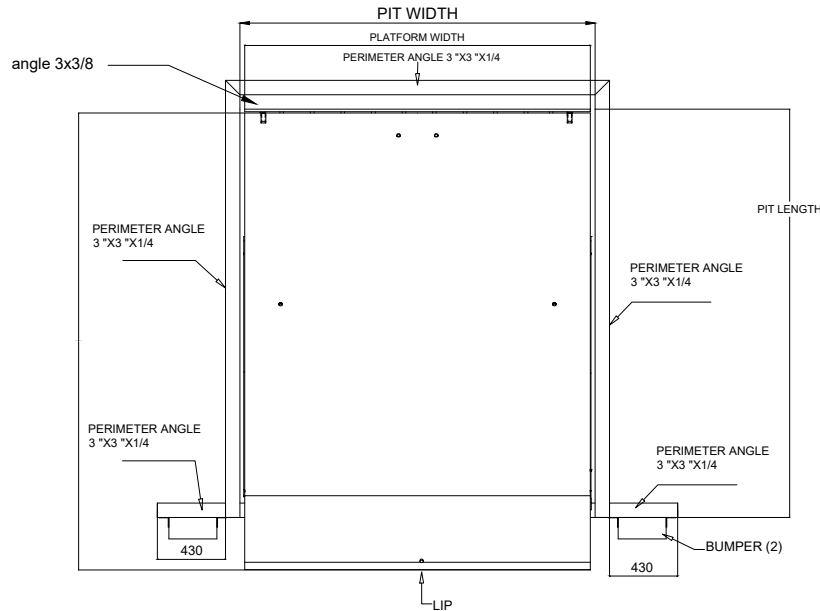
Item	Description	Qty
1		
2		
3		

MODIFICATIONS

Rev.	Request	Description	Date
1	Engineering	Issuance for Production	08/05/2023
2			
3			
4			

INSTALLATION DETAILS									
MODEL (Size)		PLATFORM DIMENSIONS				PIT SPECIFICATIONS			
		WIDTH		LENGTH		WIDTH		LENGTH	
mm	Ft	mm	inch	mm	inch	mm	inch	mm	inch
2108x1600	6'x 7'	2108	83"	1600	63"	2159	85"	1600	63"

TOP VIEW DETAIL



PERIMETER ANGLE 3 X 3 X 1/4  
(MATERIAL NOT SUPPLIED BY TECNORAMPA)

Tolerances

Table 1:  
xxxx ± 2mm  
xxx ± 2mm  
xx ± 1mm  
x ± 1mm  
∠ ± 1°  
∅ xxxx ± 2mm  
∅ xxx ± 2mm  
∅ xx ± 0.5mm  
∅ x ± 0.2mm

REMARKS

TOLERANCE SUMS ARE NOT ALLOWED IN THE OVERALL DIMENSIONS.

WEIGHT:

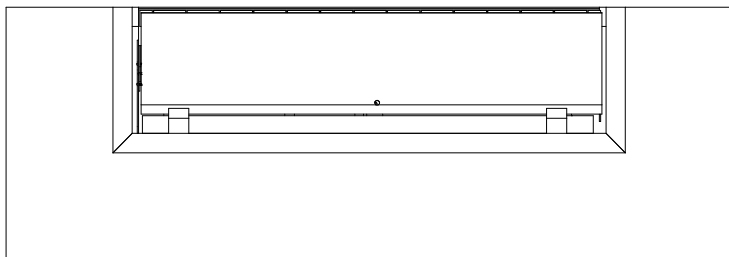
Design:	Reviewed:	Approved:	Date:
A. Gonzalez	G. Resendiz	G. Resendiz	08/05/2023

Dimensional unit	Geometric Tolerances	Standard drawing	Projection
Millimeters	Reference Table of Tolerances		

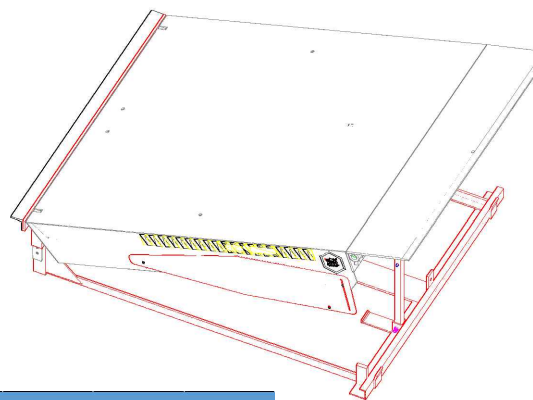
Name of equipment:	HYDRAULIC DOCK LEVELER
Capacity:	LEVELER FOR 30,000 LBS
	6X7 FT

# HYDRAULIC DOCK LEVELER

**FRONT VIEW**

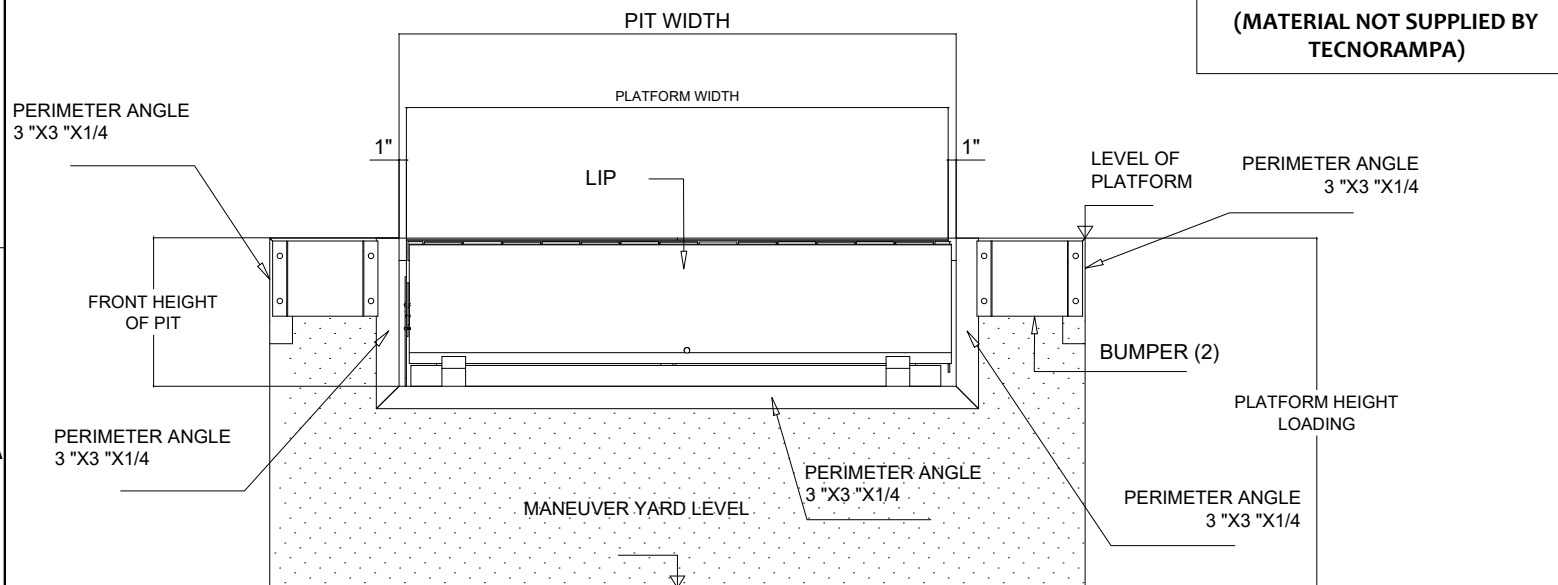


**ISOMETRIC VIEW**



INSTALLATION DETAILS									
MODEL (Size)		PLATFORM DIMENSIONS				PIT SPECIFICATIONS			
		WIDTH		LENGTH		WIDTH		LENGTH	
mm	Ft	mm	inch	mm	inch	mm	inch	mm	inch
2108x1600	6'x 7'	2108	83"	1600	63"	2159	85"	1600	63"

**FRONT VIEW DETAIL**



**COMMENTS ON THE EQUIPMENT**

**PARTS LIST**

Item	Description	Qty
1		
2		
3		

**MODIFICATIONS**

Rev.	Request	Description	Date
1	Engineering	Issuance for Production	08/05/2023
2	-----	-----	-----
3	-----	-----	-----
4	-----	-----	-----

Tolerances  
Table 1:  
xxxx ± 2mm  
xxx ± 2mm  
xx ± 1mm  
x ± 1mm  
∠ ± 1°  
∅ xxx ± 2mm  
∅ xxx ± 2mm  
∅ xx ± 0,5mm  
x ± 0,2mm

**REMARKS**

TOLERANCE SUMS ARE NOT ALLOWED IN THE OVERALL DIMENSIONS.

WEIGHT:

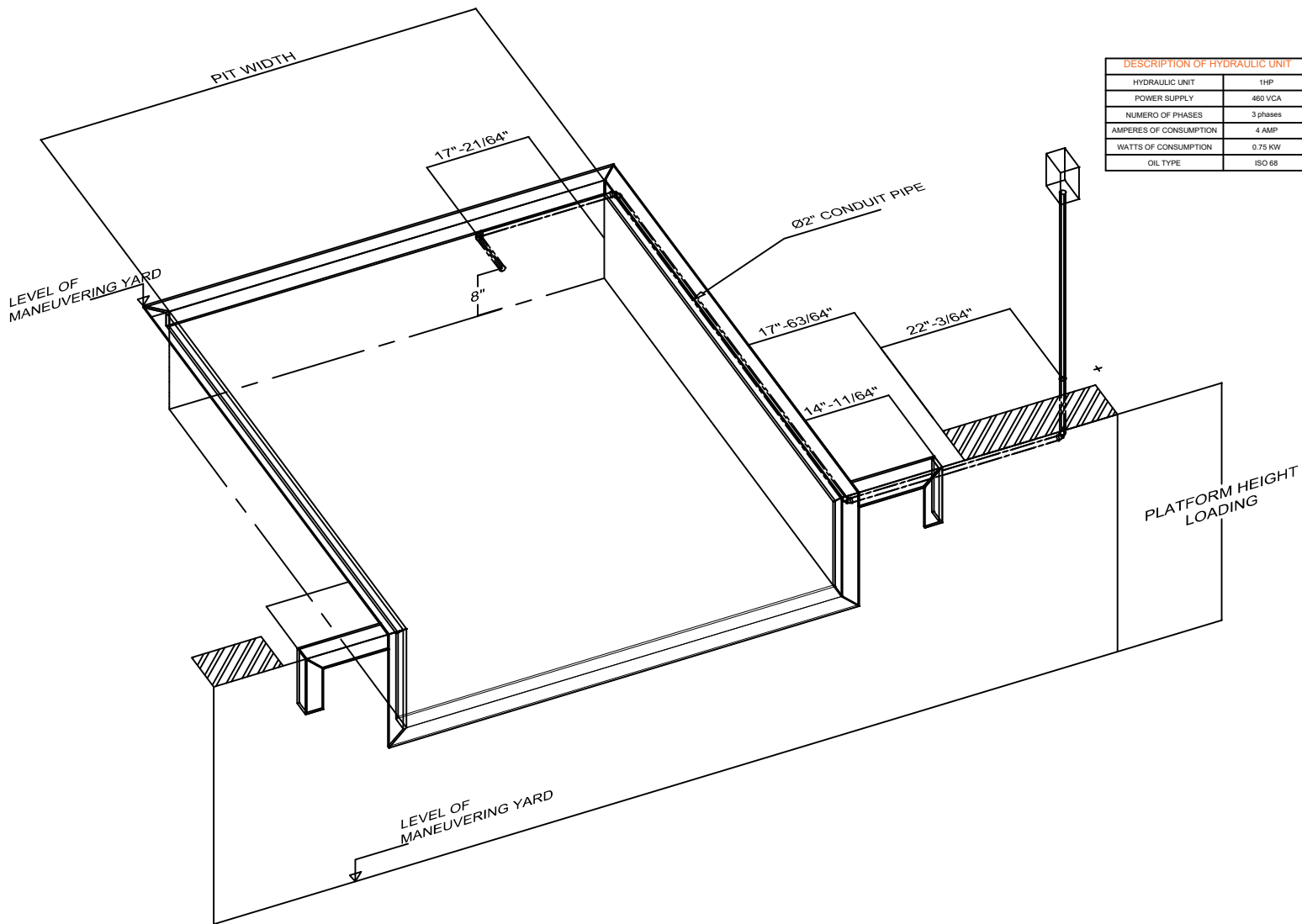
Design:	Reviewed:	Approved:	Date:
A. Gonzalez	G. Resendiz	G. Resendiz	08/05/2023

Dimensional unit	Geometric Tolerances	Standard drawing	Projection
Millimeters	Reference Table 1 of Tolerances		

Name of equipment:	HYDRAULIC DOCK LEVELER
Capacity:	LEVELER FOR 30,000 LBS
	6X7 FT

# DOCK LEVELLER HYDRAULIC

## ISOMETRIC VIEW PREPARATION TO INSTALL LEVELER



DESCRIPTION OF HYDRAULIC UNIT	
HYDRAULIC UNIT	1HP
POWER SUPPLY	460 VCA
NUMERO OF PHASES	3 phases
AMPERES OF CONSUMPTION	4 AMP
WATTS OF CONSUMPTION	0.75 KW
OIL TYPE	ISO 68

COMMENTS ON THE EQUIPMENT

PARTS LIST		
Item	Description	Qty
1		
2		
3		

MODIFICATIONS			
Rev.	Request	Description	Date
1	Engineering	Issuance for Production	08/05/2023
2			
3			
4			

Tolerances Table:	
xxxx ± 2mm	
xxx ± 2mm	
xx ± 1mm	
x ± 1mm	
∠ ± 1°	
∅ xxxx ± 2mm	
∅ xxx ± 2mm	
∅ xx ± 0.5mm	
∅ x ± 0.2mm	

**REMARKS**  
TOLERANCE SUMS ARE NOT ALLOWED IN THE OVERALL DIMENSIONS.

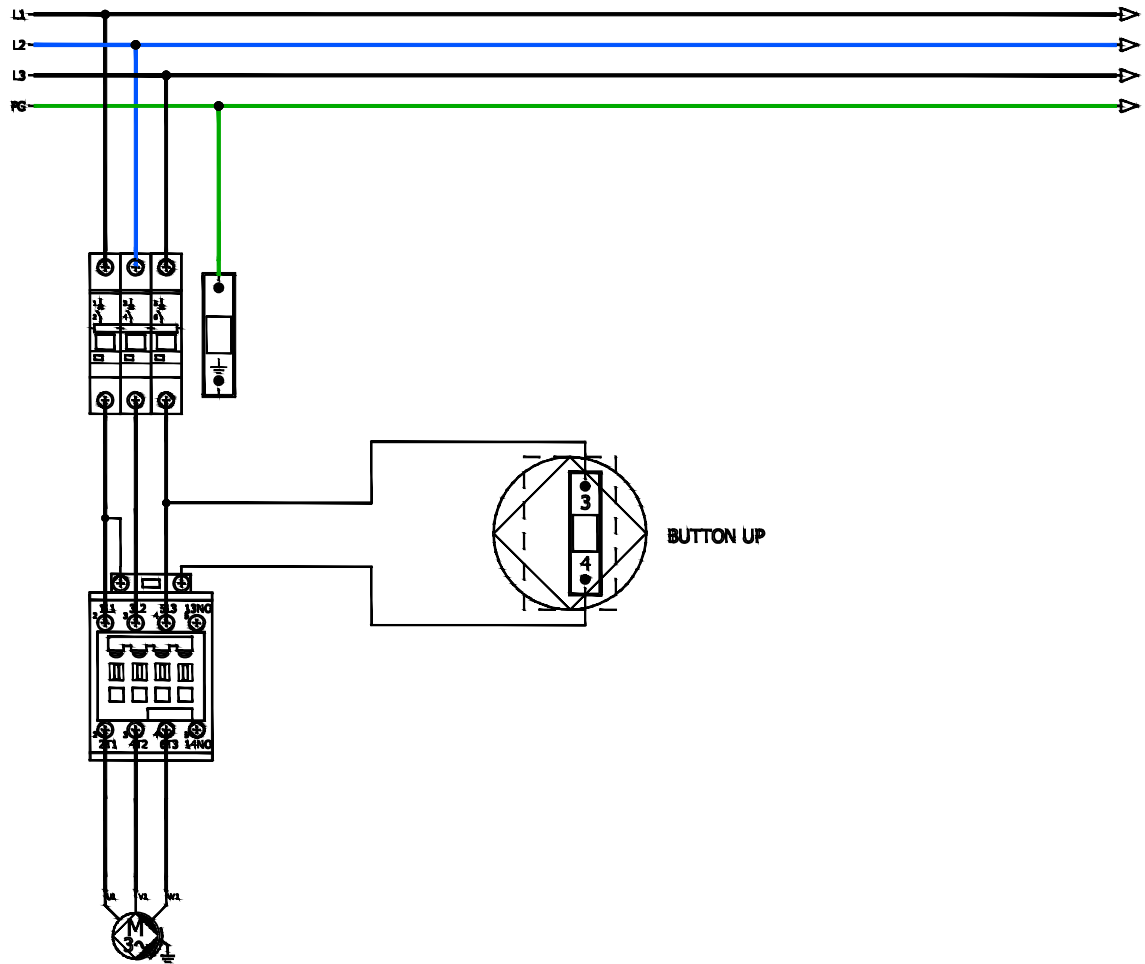
Design:	Reviewed:	Approved:	Date:
A. Gonzalez	G. Resendiz	G. Resendiz	08/05/2023

Dimensional unit	Geometric Tolerances	Standard drawing	Projection
Millimeters	Reference Table of Tolerances		

Name of equipment:	HYDRAULIC DOCK LEVELER
Capacity:	LEVELER FOR 30,000 LBS
	6X7 FT

# HYDRAULIC DOCK LEVELER

## DIAGRAM FOR ELECTRICAL INSTALLATION



**ELECTRICAL POWER SUPPLY**  
TRIPHASIC 460 VAC

- LINE 1
- LINE 2
- LINE 3
- PHYSICAL GROUND
- POWER STAGE
- COMMAND CONTROL

COMMENTS ON THE EQUIPMENT

PARTS LIST		
Item	Description	Qty
1		
2		
3		

MODIFICATIONS			
Rev.	Request	Description	Date
1	Engineering	Issuance for Production	13/12/2022
2	-----	-----	-----
3	-----	-----	-----
4	-----	-----	-----

Tolerances Table:		REMARKS
xxxx ± 2mm		
xxx ± 2mm		
xx ± 1mm		
x ± 1mm		
∠ ± 1°		
∅ xxx ± 2mm		WEIGHT:
∅ xxx ± 2mm		
∅ xx ± 0.5mm		
∅ x ± 0.2mm		

Design:	Reviewed:	Approved:	Date:
A. Gonzalez	G. Resendiz	G. Resendiz	13/12/2022

Dimensional unit	Geometric Tolerances	Standard drawing	Projection
Millimeters	Reference Table of Tolerances		

Name of equipment: HYDRAULIC DOCK LEVELER

Capacity: