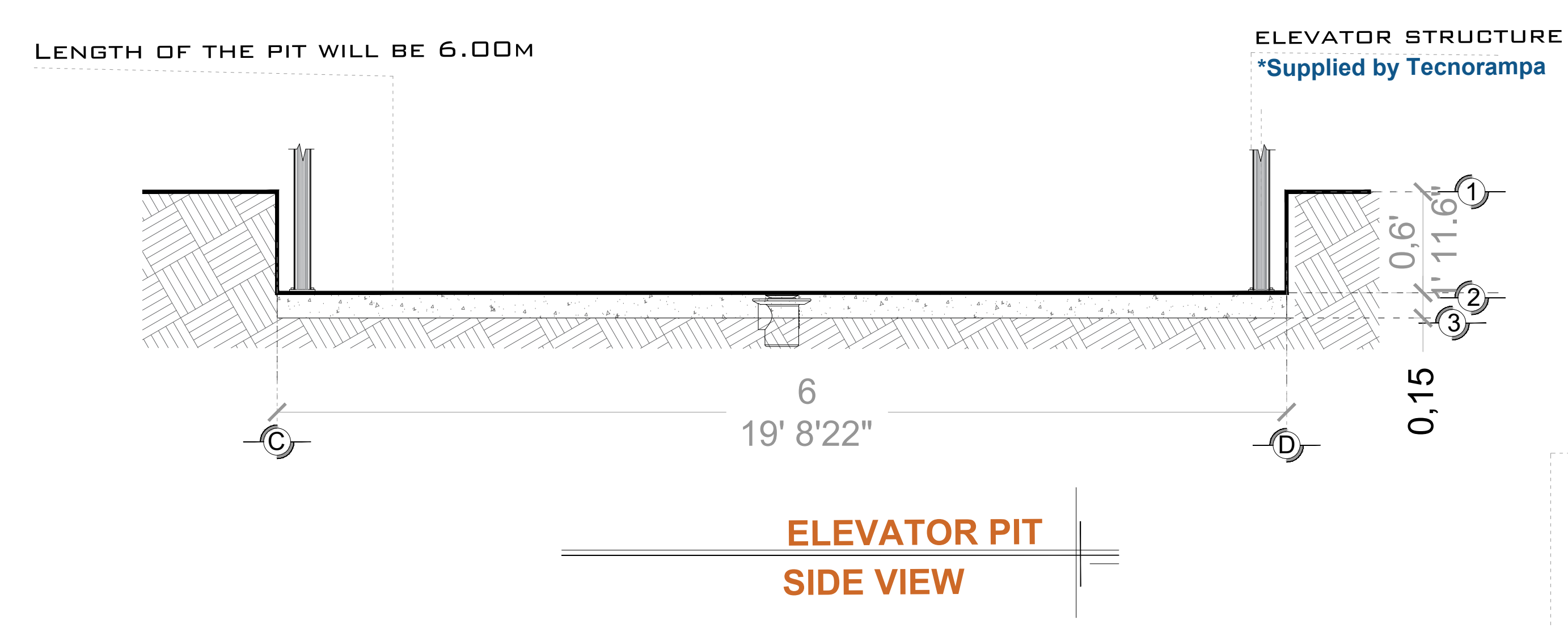
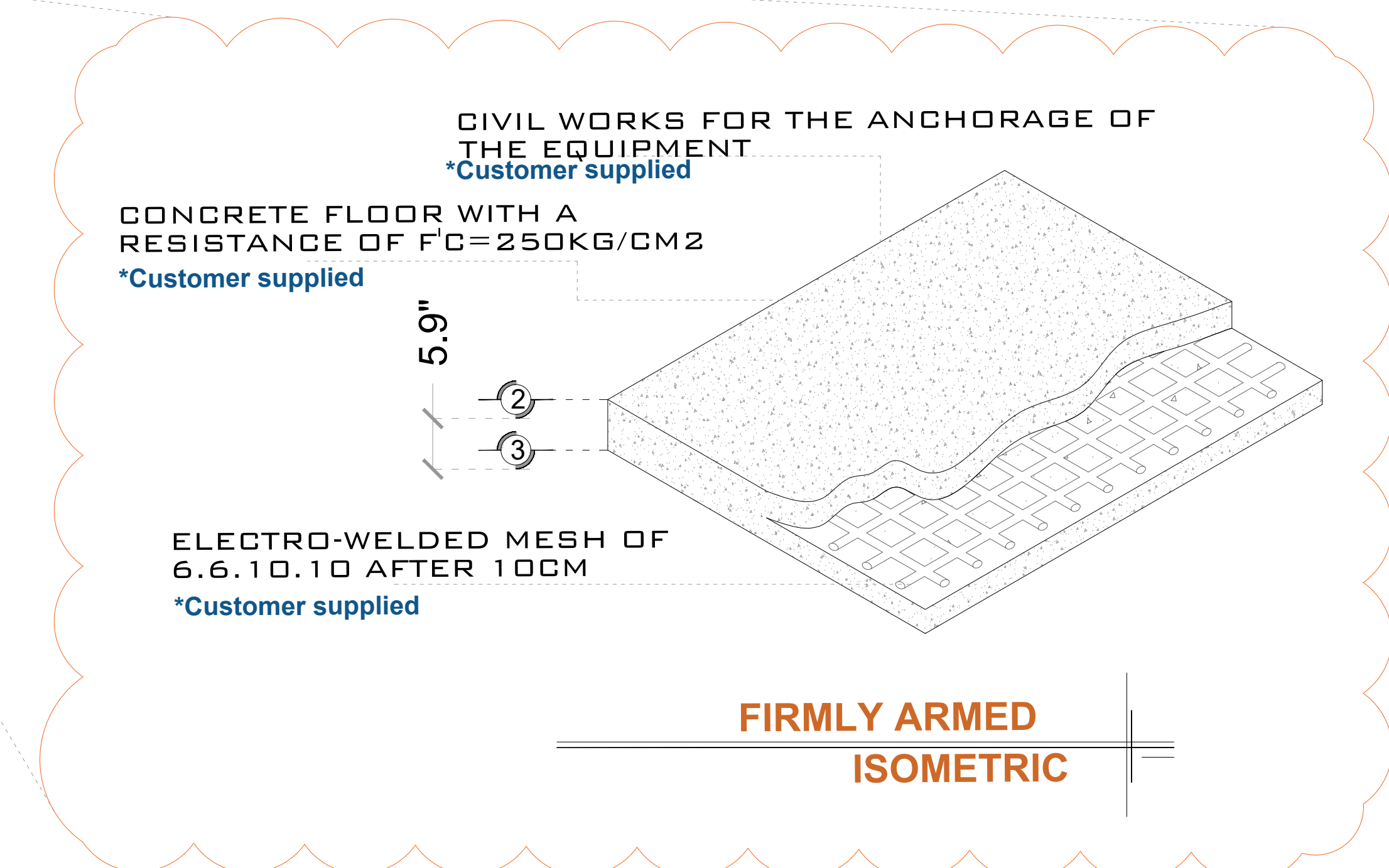
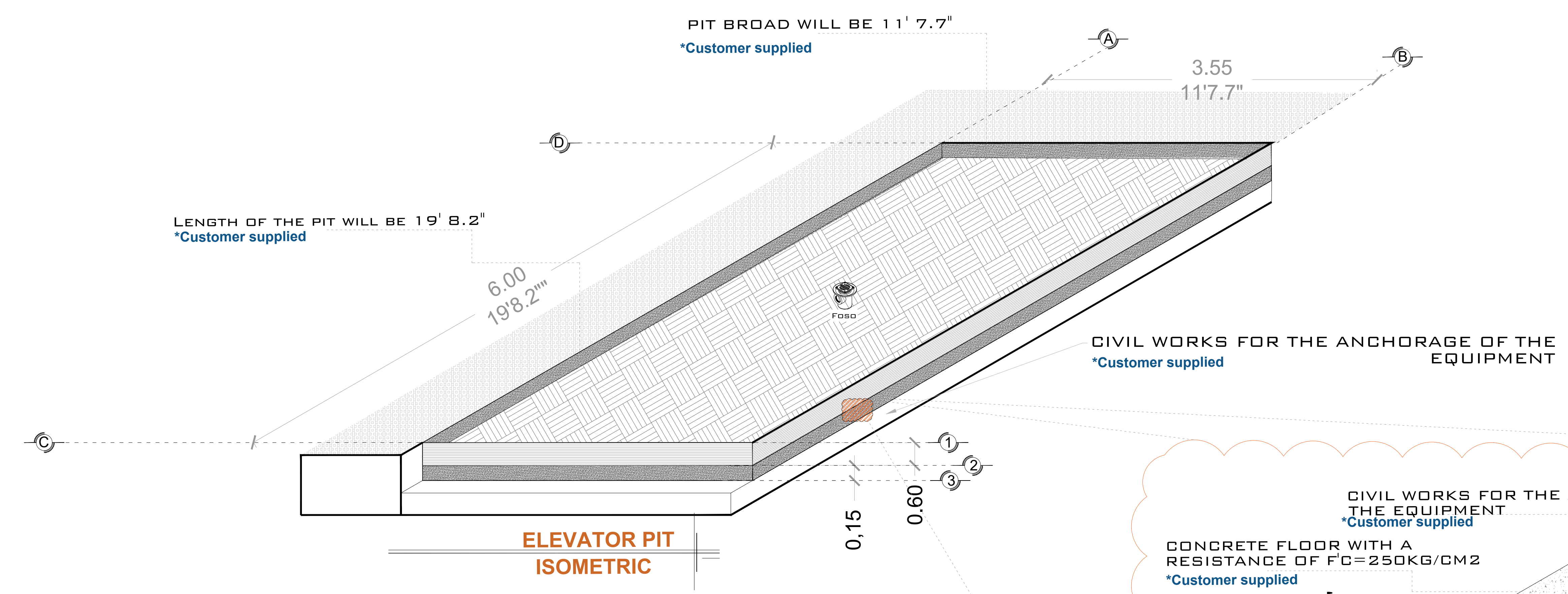
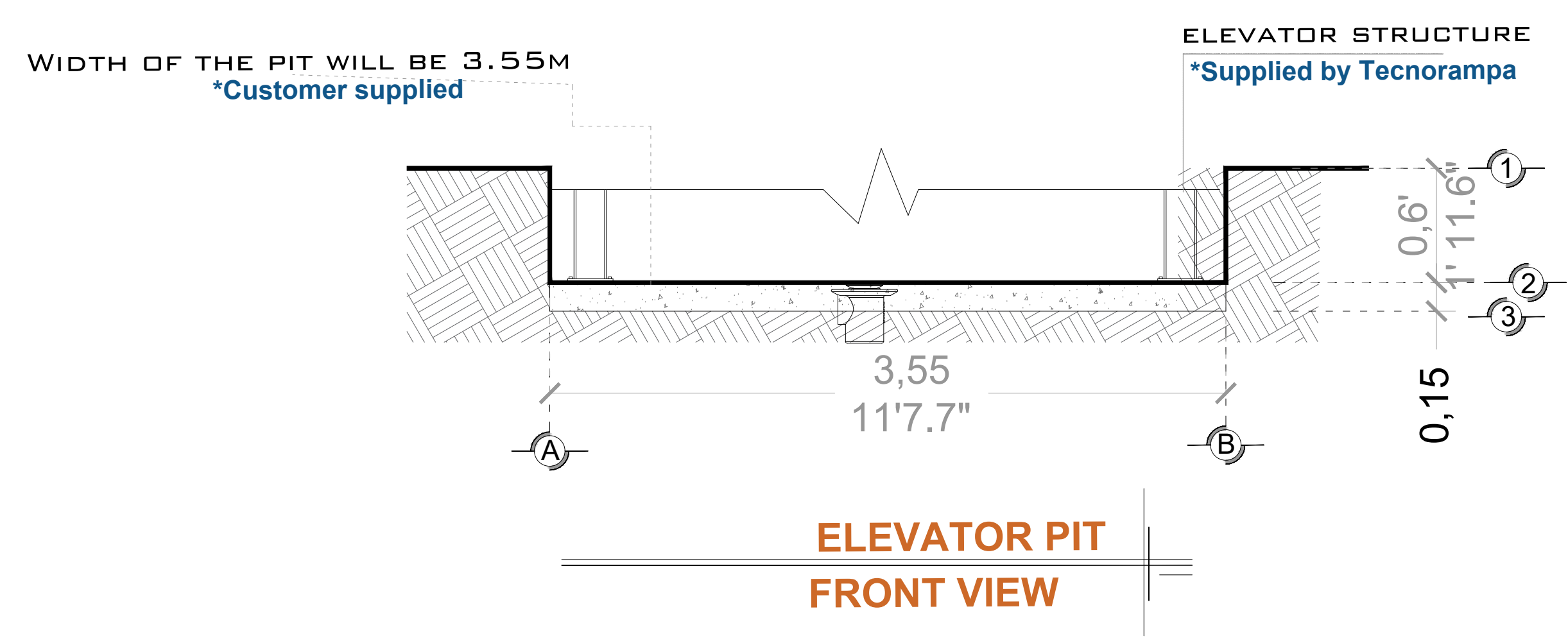
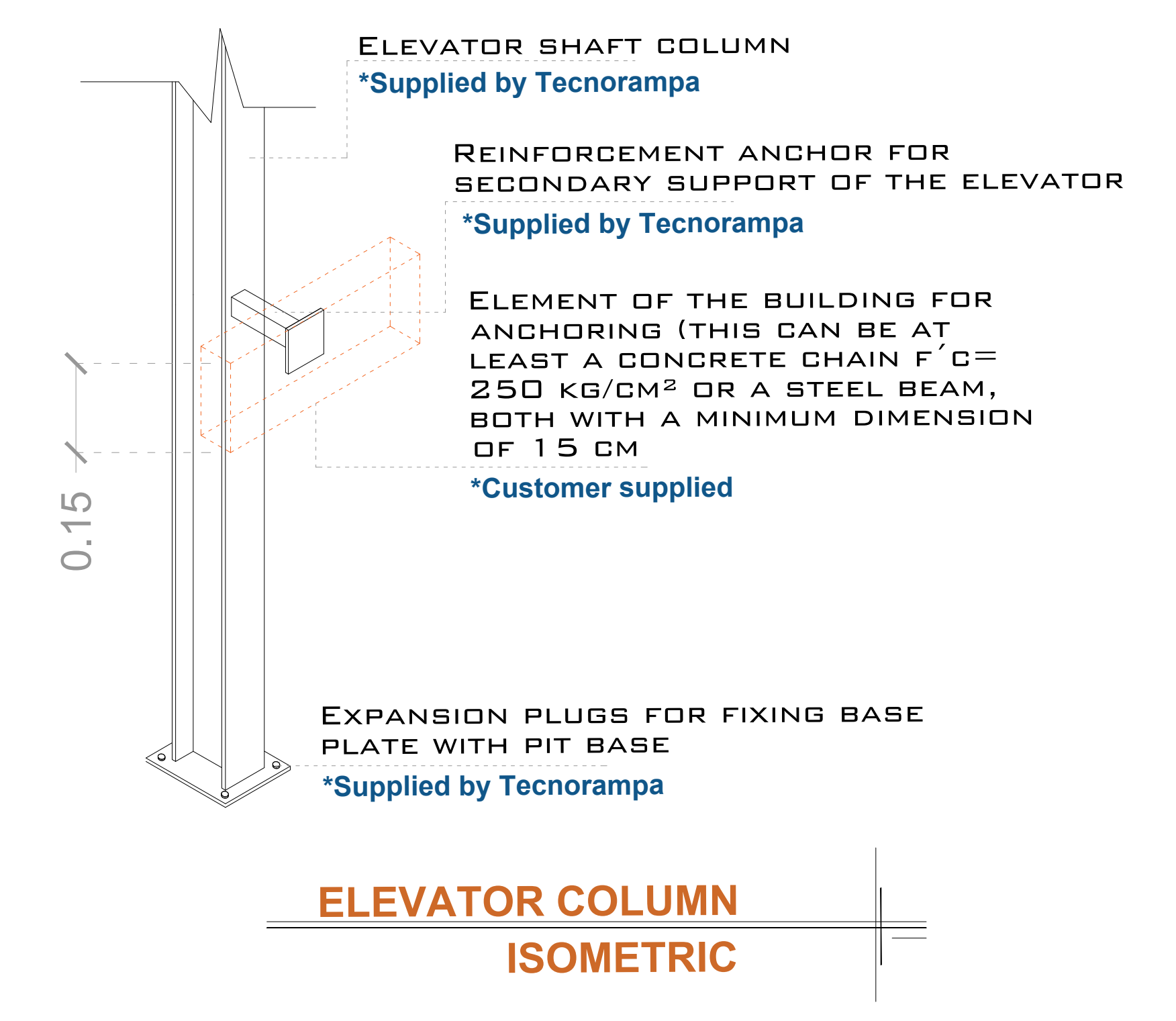
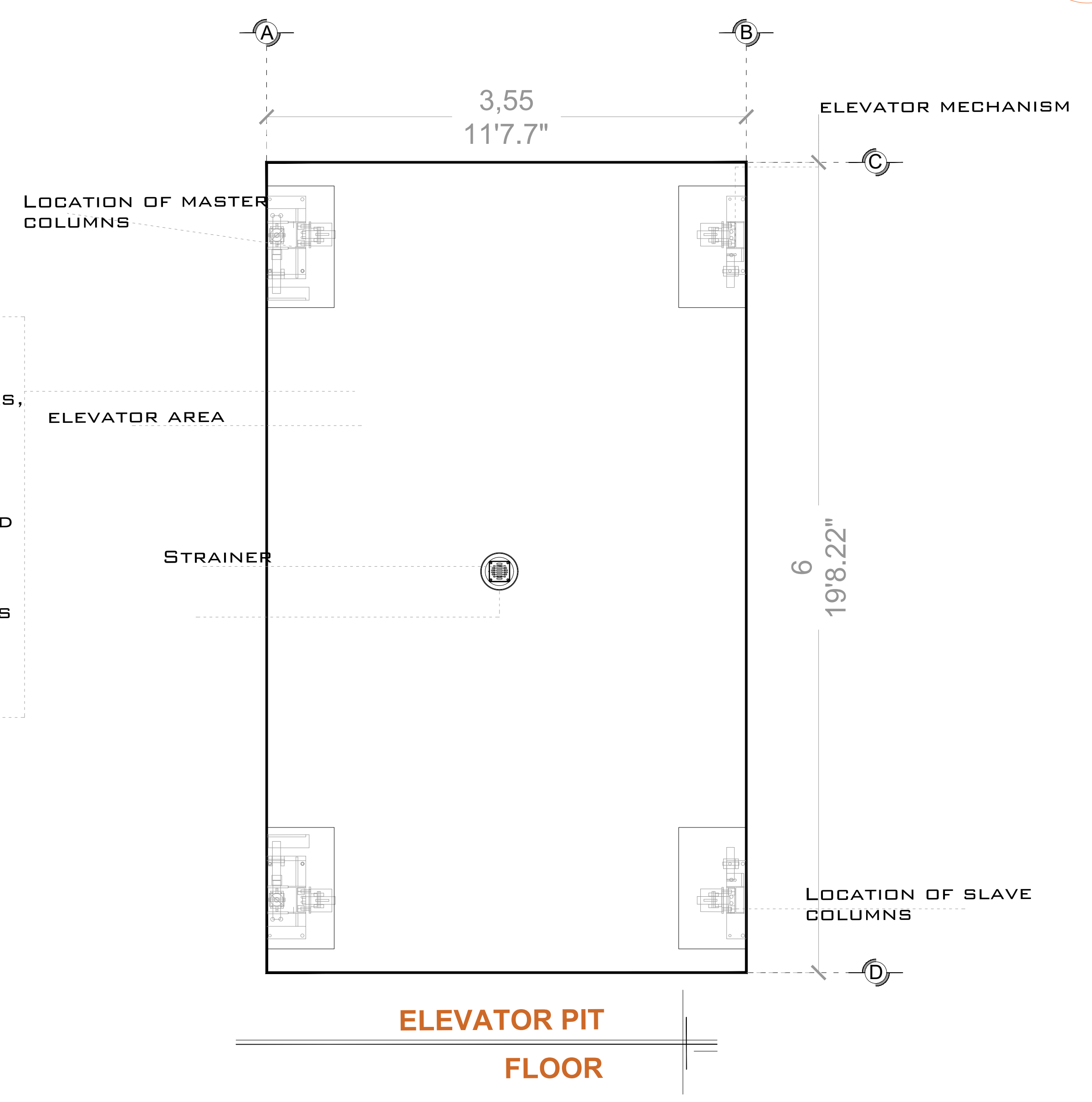


**CIVIL WORK**



FOR SAFETY REASONS AGAINST POSSIBLE ACCUMULATIONS OF WATER, SUCH AS FLOODS OR LEAKS, IT IS RECOMMENDED TO INSTALL A DRAINAGE PIPE OUTLET (STRAINER) TO DISLodge THE WATER THAT COULD BE STORED IN THE PIT, SAID PIPE WILL BE CONNECTED TO THE DRAINAGE NETWORK OR GREEN AREAS ACCORDING TO THE CLIENT'S DECISION.



- NOTES**
- WITHOUT BUTTON PAD INSIDE, ONLYCALLING BUTTON PAD WITH BIG SCREEN
  - HIGH WALL: 5' 10.86" (1.80 M)
  - FREE ACCES HYDRAULIC DOOR: 7' 10.48" (2.40 M)
  - COLOR STRUCTURE: BLACK
  - COLOR ALUCOBOND PANELS: SILVER METALLIC

# FROM CUSTOMER: \_\_\_\_\_

BUSINESS NAME: 41 BANCKER STREET PROJECT

NAME: 41 BANCKER STREET PROJECT

LOCATION: \_\_\_\_\_

ELEVATOR: VOX EVOLUTION

ELEVATION: 5.23 MTS (17' 1.9")

No.OF LEVELS: 2

BURDEN: 3500 KG (7716.2 LBS)

PIPELINE: GROSS

UH: 10 HP

SIGNATURE SELLER: ING. IVAN RICARDO JURY MADRIGAL

CLIENT'S SIGNATURE:

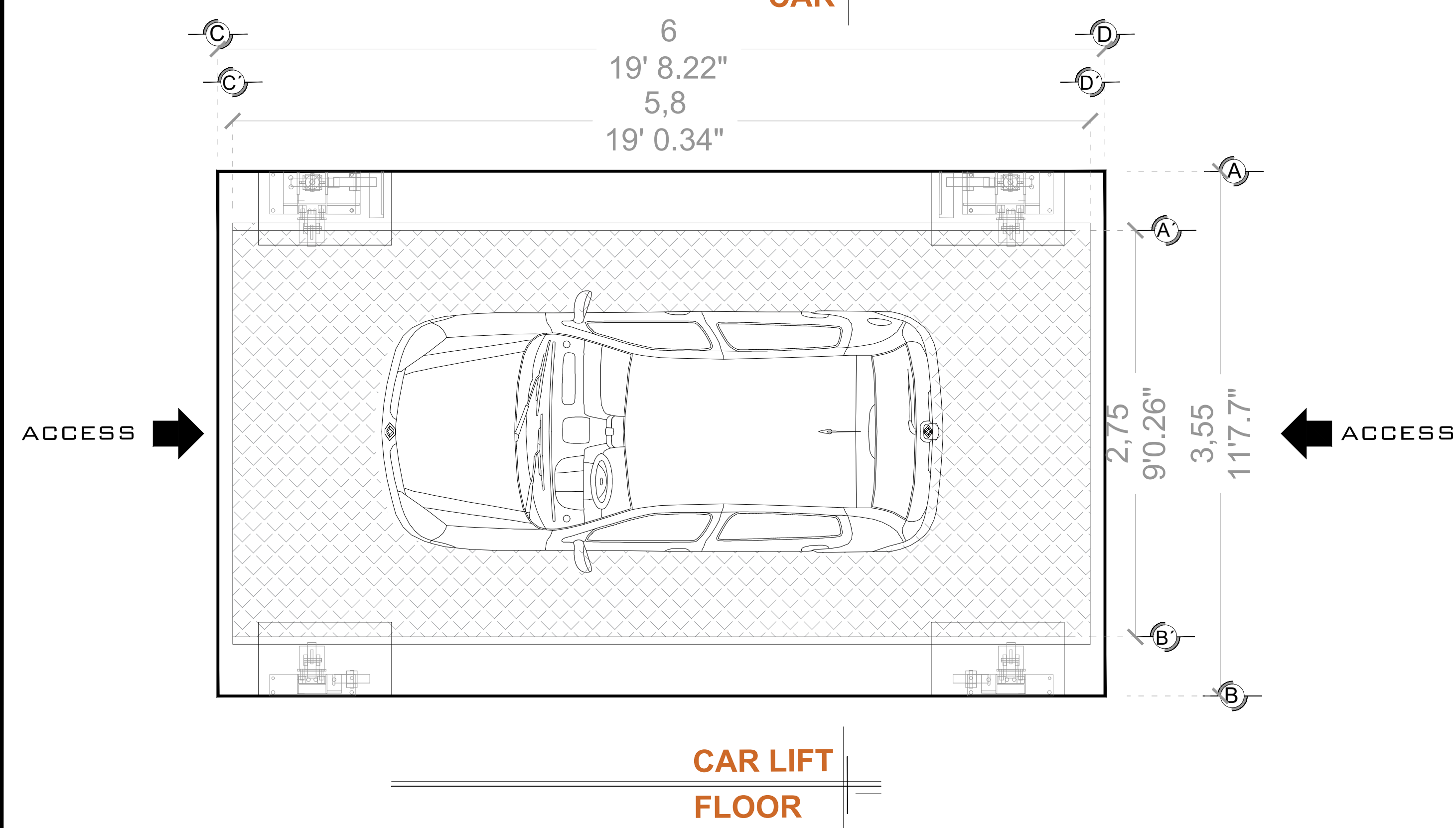
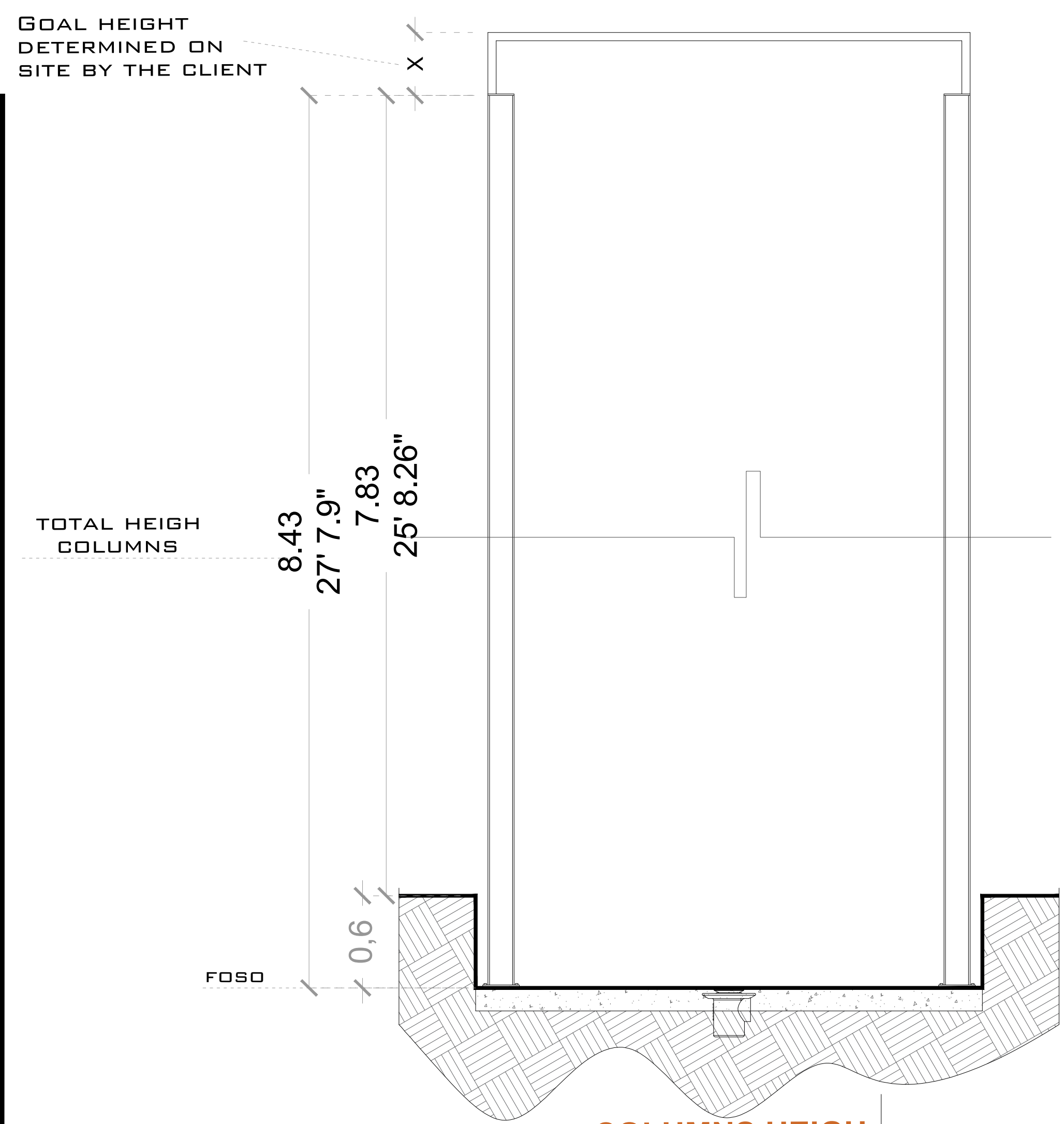
REVISION	DATE	OBSERVATION
0	15/03/2023	LIBERACION DE GUIA MECANICA
1	03/07/2023	CHANGED ELEVATION, PIT SIZES, DEFINITION WALLS TIPE AND FREE HIGH OF HYDRAULIC DOOR

**TecnoRampa**

EUA-001-L

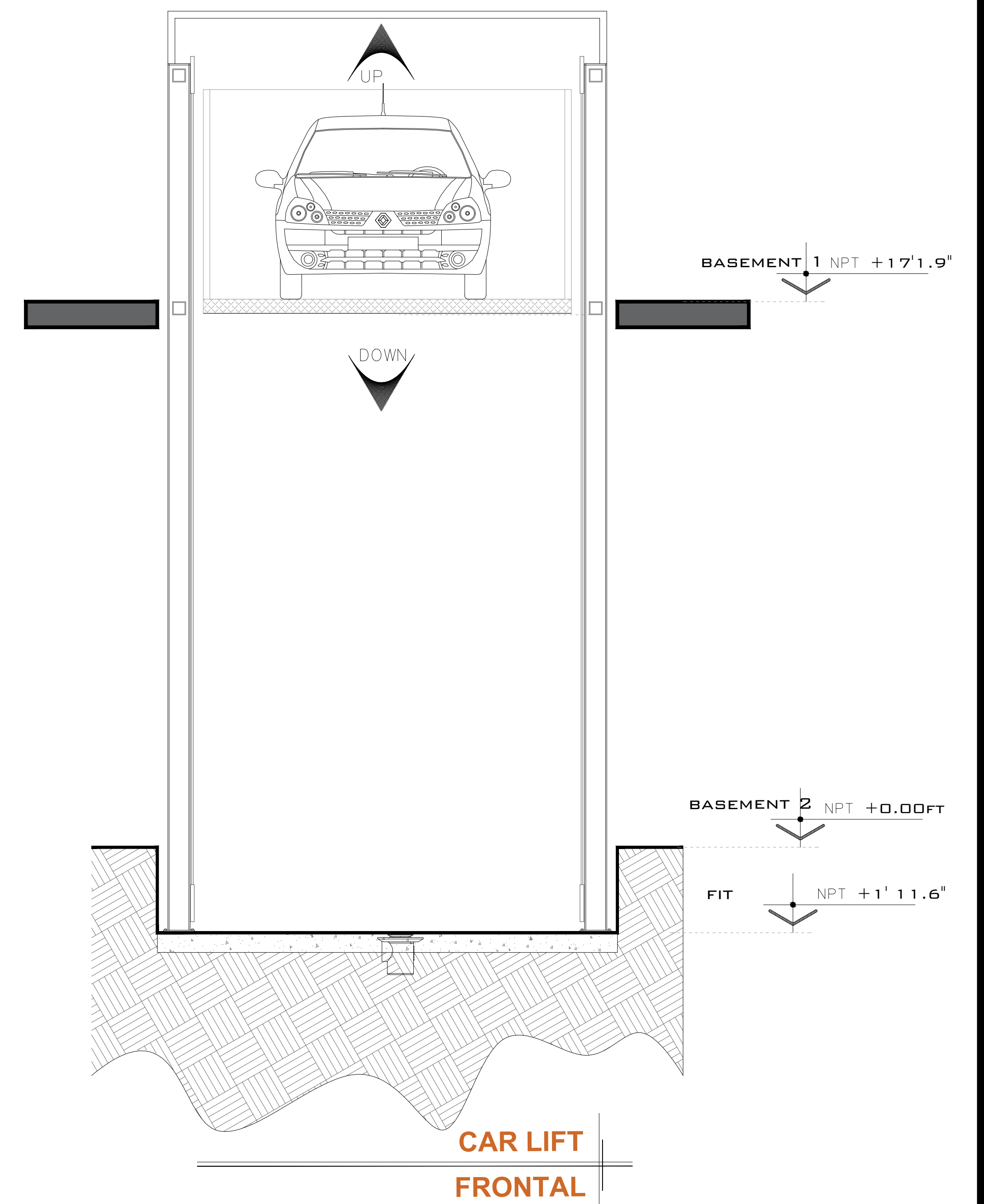
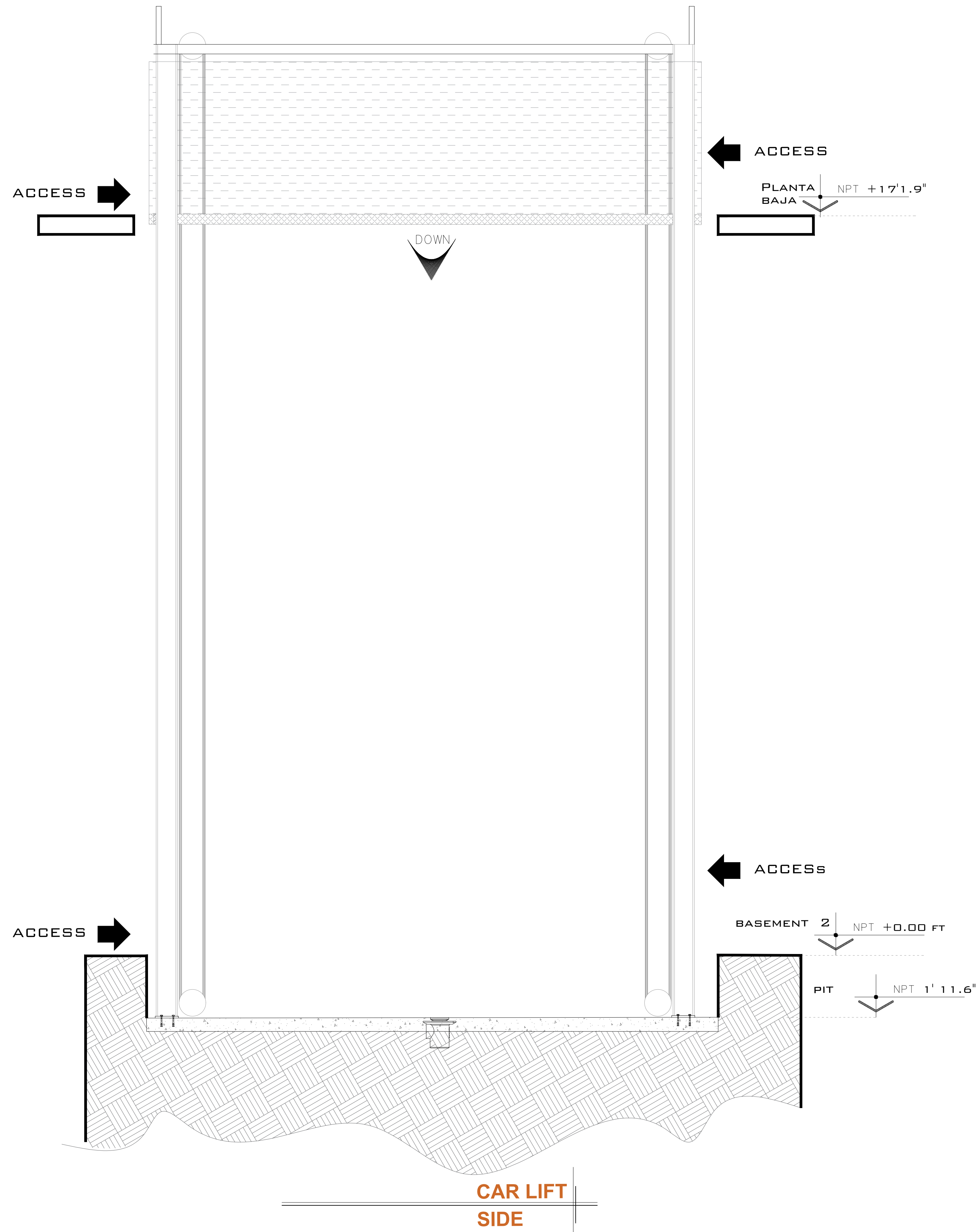
**CIVIL WORK**

**EQUIPMENT DESCRIPTION**



**NOTES**

ACCESS 180°



# FROM CUSTOMER: \_\_\_\_\_

BUSINESS NAME: 41 BANCKER STREET PROJECT

NAME: 41 BANCKER STREET PROJECT

LOCATION: \_\_\_\_\_

ELEVATOR: VOX EVOLUTION

ELEVATION: 5.23 MTS (17' 1.9")

No.OF LEVELS: 2

BURDEN: 3500 KG (7716.2 LBS)

PIPELINE: GROSS

UH: 10 HP

SIGNATURE SELLER: ING. IVAN RICARDO JURY MADRIGAL

CLIENT'S SIGNATURE: \_\_\_\_\_

REVISIÓN	DATE	OBSERVATION
0	15/03/2023	LIBERACION DE GUIA MECANICA
1	03/07/2023	CHANGED ELEVATION, PIT SIZES, DEFINITION WALLS TIPE AND FREE HIGH OF HYDRAULIC DOOR

**TecnoRampa**

EUA-002-L

EQUIPEMENT

# HYDRAULIC UNIT

FOR THE OPERATION OF THE ELEVATOR, A HYDRAULIC UNIT IS NECESSARY, WHICH IS NOT CONTEMPLATED WITHIN THE CLEARING OF THE ELEVATOR. THE OPTION IS GIVEN TO THE CLIENT WHO DECIDES THE PLACE OF THE UNIT. IT IS REQUIRED TO PLACE A NICHE TO HOUSE THE HYDRAULIC UNIT AND THE ELECTRICAL CONTROL, HAVING ACCESS FOR MAINTENANCE.

THE HYDRAULIC UNIT AND ELECTRICAL CONTROL MUST BE INSTALLED AND LOCATED IN A PLACE FREE OF DUST, LIQUIDS AND INCLEMENT WEATHER, AVOIDING CONTAMINATION OF THE OIL AND LOSS OF THE EQUIPMENT WARRANTY.

THE ROUTE OF THE TUBING SHOULD NOT BE GREATER THAN 5.00 LINEAR METERS

LOAD CENTER WITH THREE-PHASE POWER SUPPLY AT 220V, WITH NEUTRAL AND PHYSICAL GROUND WITH 3X40AMP THERMOMAGNETIC PROTECTION SWITCH, EXCLUSIVE FOR THE ELEVATOR

- CABLE GAUGE 8 AWG FOR DISTANCES UP TO 10.00M.
- GAUGE 6 AWG FOR DISTANCES UP TO 15.00M.
- FOR DISTANCES GREATER THAN 15.00M, CONTEMPLATE THE CALCULATION OF CURRENT TO AVOID VOLTAGE DROP

COMPLETELY STRAIGHT DUCT OF Ø 3" FOR CHANNELING THE HYDRAULIC SYSTEM.

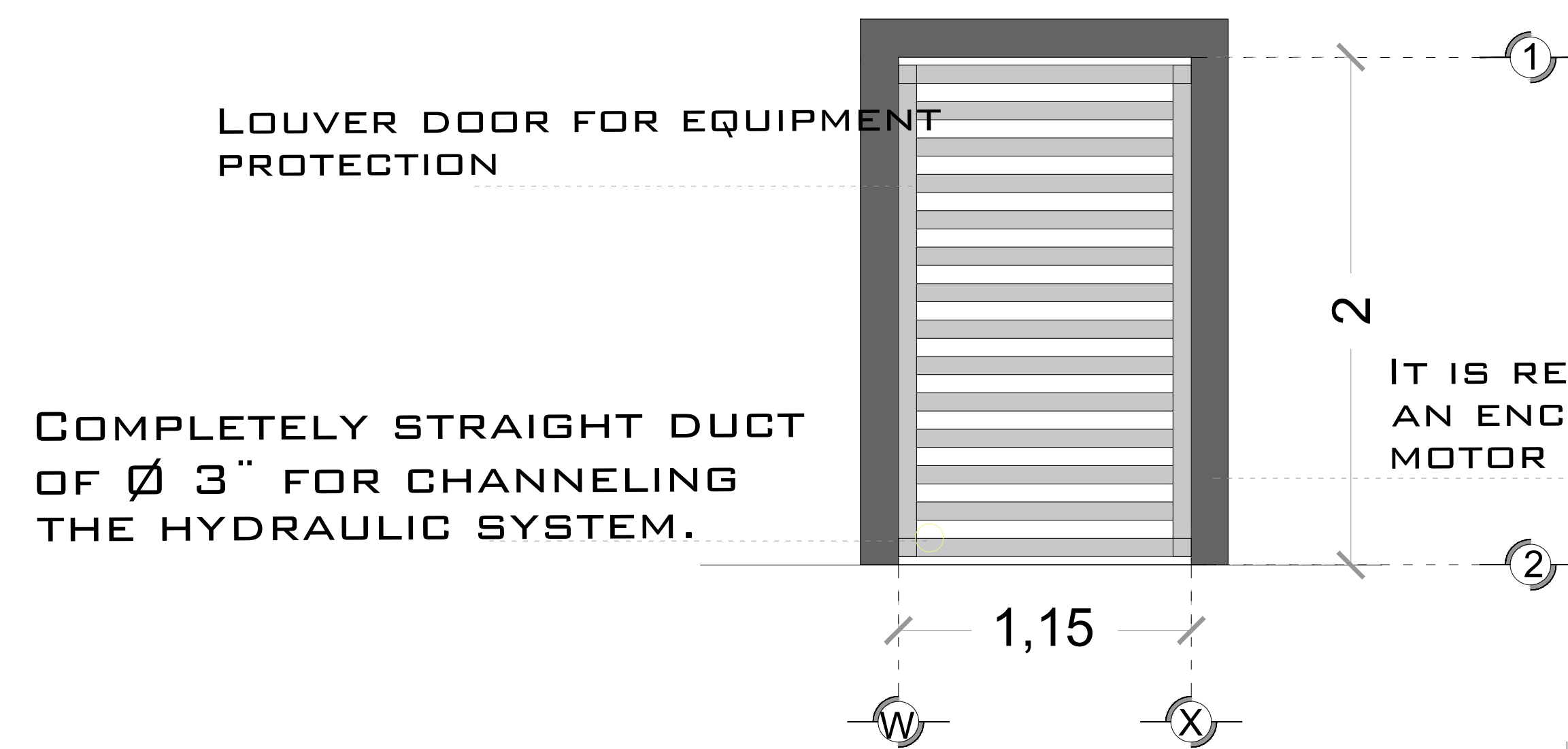
FOR SECURITY, IT SHOULD NOT BE MANIPULATED BY UNAUTHORIZED PERSONNEL.

BY IGNORING THE INDICATIONS ALREADY DICTATED AND THE EQUIPMENT HAS A FAULT, TECNORAMPA WILL NOT BE RESPONSIBLE FOR THESE, IN ADDITION TO THE FACT THAT THE GUARANTEE YEAR WOULD NOT COVER THESE DAMAGES.

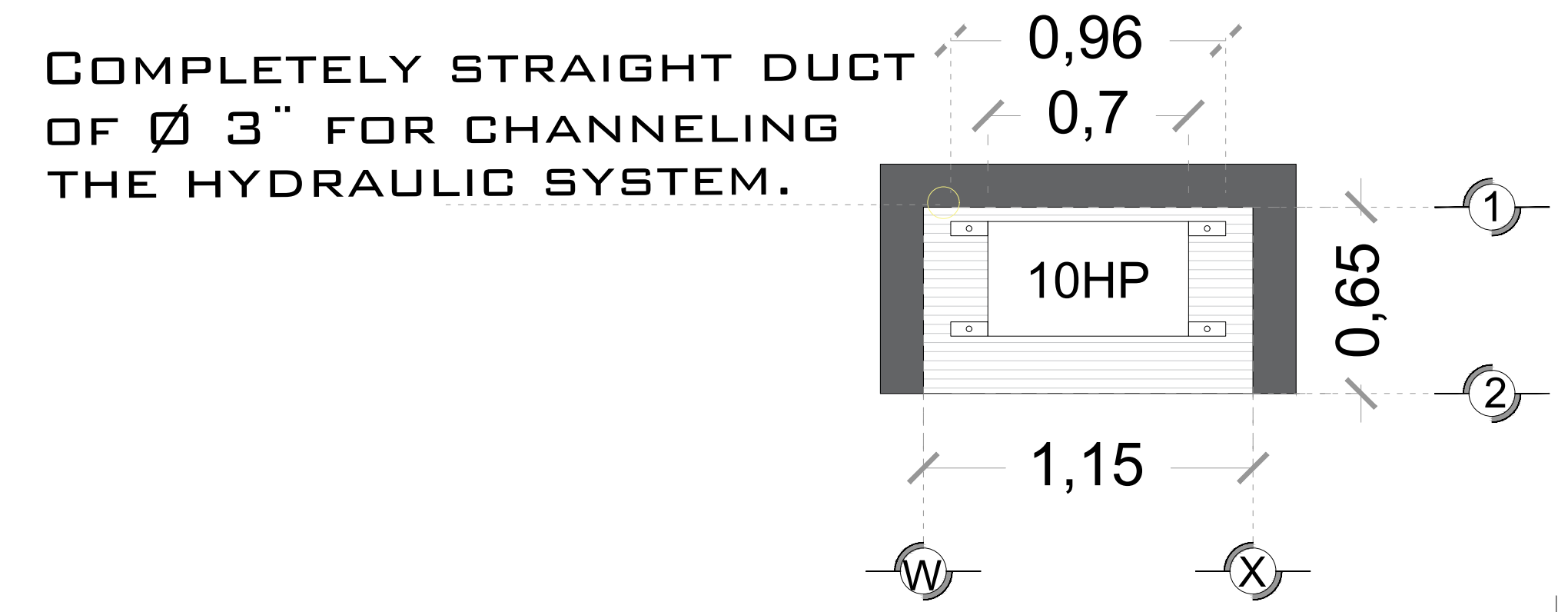
HIDRAULYC UNIT DESCRIPTION	
HIDRAULYC UNIT	10HP
POWERED	220 VCA
NUMERO DE FASES	3
CONSUMPTION AMPERS	27
CONSUMPTION WATTS	7.4 KW
OIL TYPE	ISO 68

## HIDRAULYC UNIT 10 HP

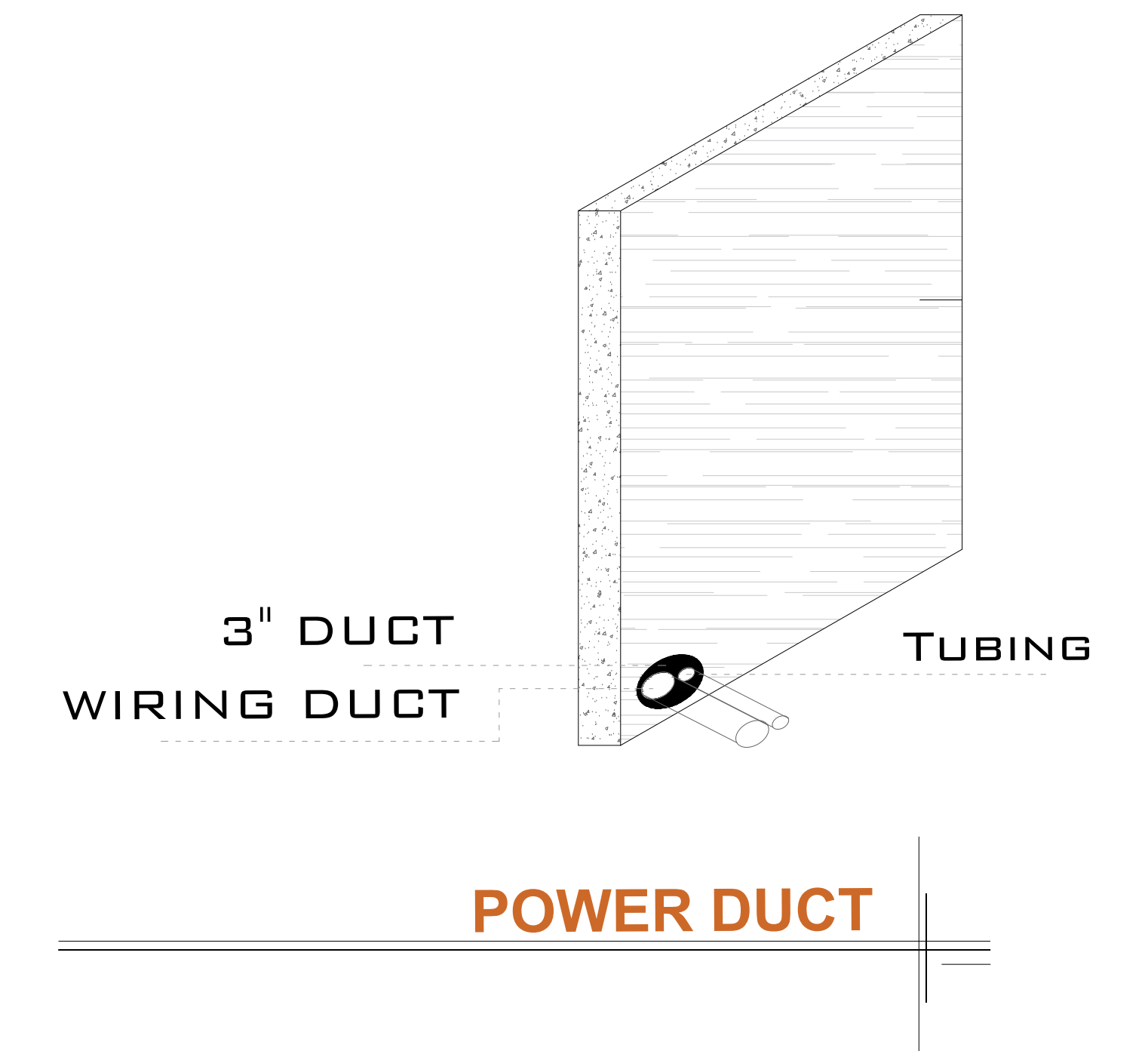
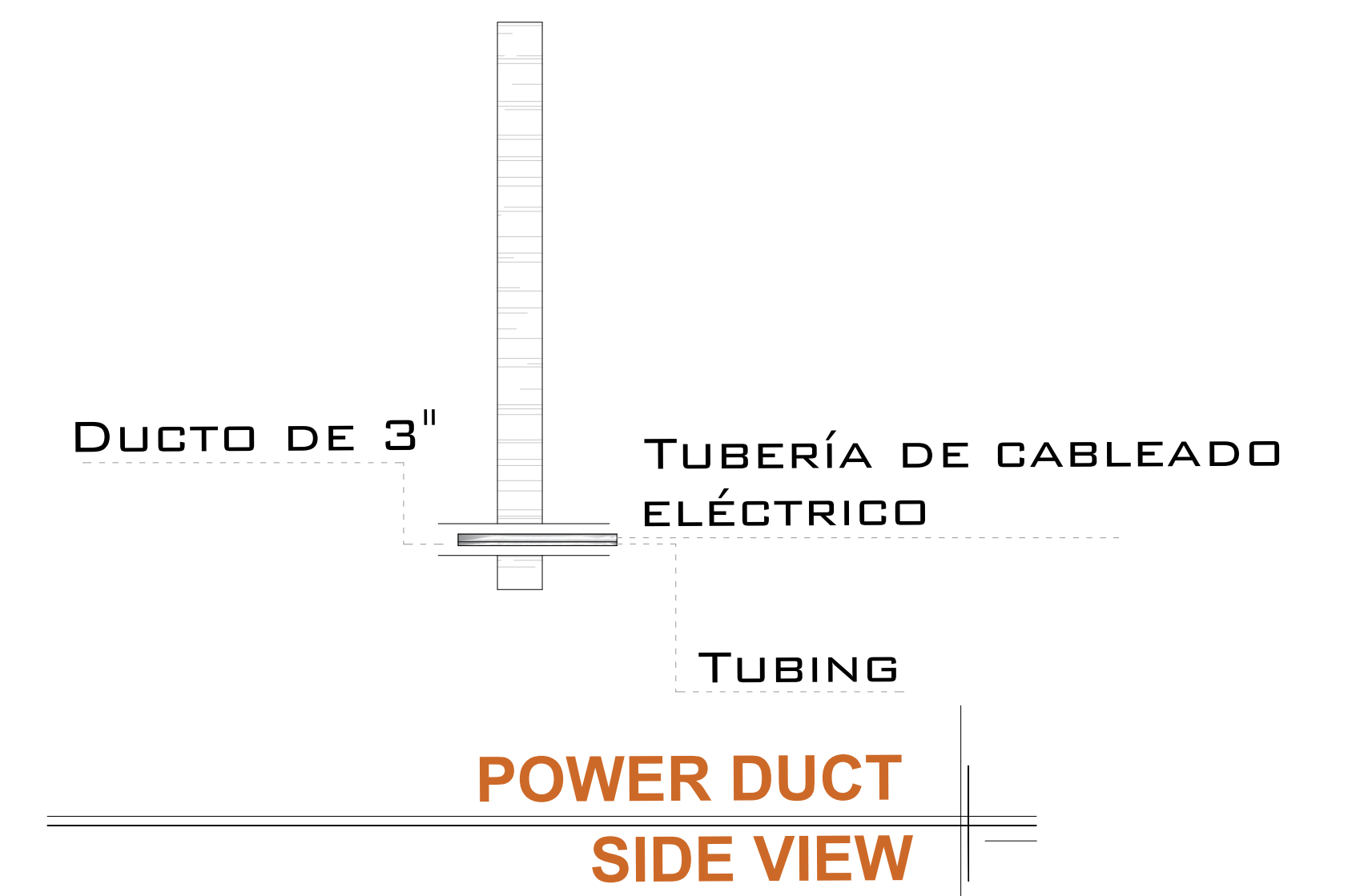
### NOTES



DESCRIPTION OF HYDRAULIC UNIT  
CABINET (FRONT VIEW)  
CABINET FOR 10 HP  
HIDRAULIC UNIT



DESCRIPTION OF HYDRAULIC UNIT  
CABINET (FLOOR VIEW)



# FROM CUSTOMER: \_\_\_\_\_

BUSINESS NAME: 41 BANCKER STREET PROJECT

NAME: 41 BANCKER STREET PROJECT

LOCATION: \_\_\_\_\_

ELEVATOR: VOX EVOLUTION

ELEVATION: 5.23 MTS (17' 1.9")

No.OF LEVELS: 2

BURDEN: 3500 KG (7716.2 LBS)

PIPELINE: GROSS

UH: 10 HP

SIGNATURE SELLER: ING. IVAN RICARDO JURY MADRIGAL

CLIENT'S SIGNATURE: \_\_\_\_\_

REVISION	DATE	OBSERVATION
0	15/03/2023	LIBERACION DE GUIA MECANICA
1	03/07/2023	CHANGED ELEVATION, PIT SIZES, DEFINITION WALLS TIPE AND FREE HIGH OF HYDRAULIC DOOR

**TecnoRampa**

EUA-003-L

ELECTROHIDRAULYC

**ELEVATOR SAFETY**

- SAFETY MECHANISMS IN ELEVATORS ARE A FUNDAMENTAL PART OF THE PLACEMENT AND START-UP OF OUR EQUIPMENT.
- THUS, EVERY TIME AN ELEVATOR IS USED, TAKE INTO ACCOUNT SOME BASIC POINTS.
- DO NOT PUT YOUR HANDS, FEET, HEAD, OR ANY OBJECT OUT OF THE ELEVATOR, WHEN IT IS IN OPERATION.
- DO NOT OPERATE THE LIFT WHEN THERE IS A HYDRAULIC FLUID LEAK.
- RESPECT THE INDICATIONS WITHOUT EXCEEDING ITS WEIGHT CAPACITY.
- DO NOT OPERATE THE EQUIPMENT WITHOUT FIRST HAVING BEEN DELIVERED BY A TECNORAMPA SPECIALIST.
- NEVER USE THE LIFT IN CASE OF FIRE.
- DO NOT OPERATE THE LIFT IF THE STEEL CABLES ARE FRAKED.

**INSTALLATION REQUIREMENTS**

THE PIT WILL BE IN OPTIMAL CONDITIONS (NO PUDDLES INSIDE THE PIT, AREA FREE OF ANY OBJECTS OR MATERIALS UNDER CONSTRUCTION, FREE ACCESS TO TRANSPORT THE EQUIPMENT TO THE INSTALLATION AREA)

FOR THE INSTALLATION OF THE ELEVATOR, IT IS NECESSARY TO HAVE 220V POWER TO CONNECT A WELDING MACHINE, TO 2 PHASES AND IT MUST HAVE A CONSUMPTION CAPACITY OF 60 AMP. FREE. IF THIS POWER SUPPLY IS NOT AVAILABLE, THE LIFT CANNOT BE INSTALLED ON THE AGREED DATE. AND A NEW AVAILABLE INSTALLATION DATE WILL BE GIVEN, ACCORDING TO OUR INSTALLATION SCHEDULE.

THE CIVIL WORK REQUIRED BY TECNORAMPA MUST BE READY ON THE AGREED DATE SO AS NOT TO RESCHEDULE THE INSTALLATION OF THE EQUIPMENT.

CONSIDER ACCESS FOR OUR TECNORAMPA EQUIPMENT, SINCE THESE ARE ARMED AND IF THERE IS NO SPACE TO ACCESS WITHOUT INCONVENIENCE, DISCUSS THIS WITH YOUR DESIGNATED VENDOR AND THUS TAKE THE NECESSARY PRECAUTIONS.

**EQUIPMENT SPECIFICATIONS**

**ADDITIONAL COMPONENTS FOR THE TEAM**

-DOUBLE ACCESS

**NOTES**

[Empty box for notes]

# FROM CUSTOMER: \_\_\_\_\_  
 BUSINESS NAME: 41 BANCKER STREET PROJECT  
 NAME: 41 BANCKER STREET PROJECT  
 LOCATION: \_\_\_\_\_  
 ELEVATOR: VOX EVOLUTION

ELEVATION: 5.23 MTS (17' 1.9")  
 No.OF LEVELS: 2  
 BURDEN: 3500 KG (7716.2 LBS)  
 PIPELINE: GROSS  
 UH: 10 HP

SIGNATURE SELLER: ING. IVAN RICARDO JURY MADRIGAL



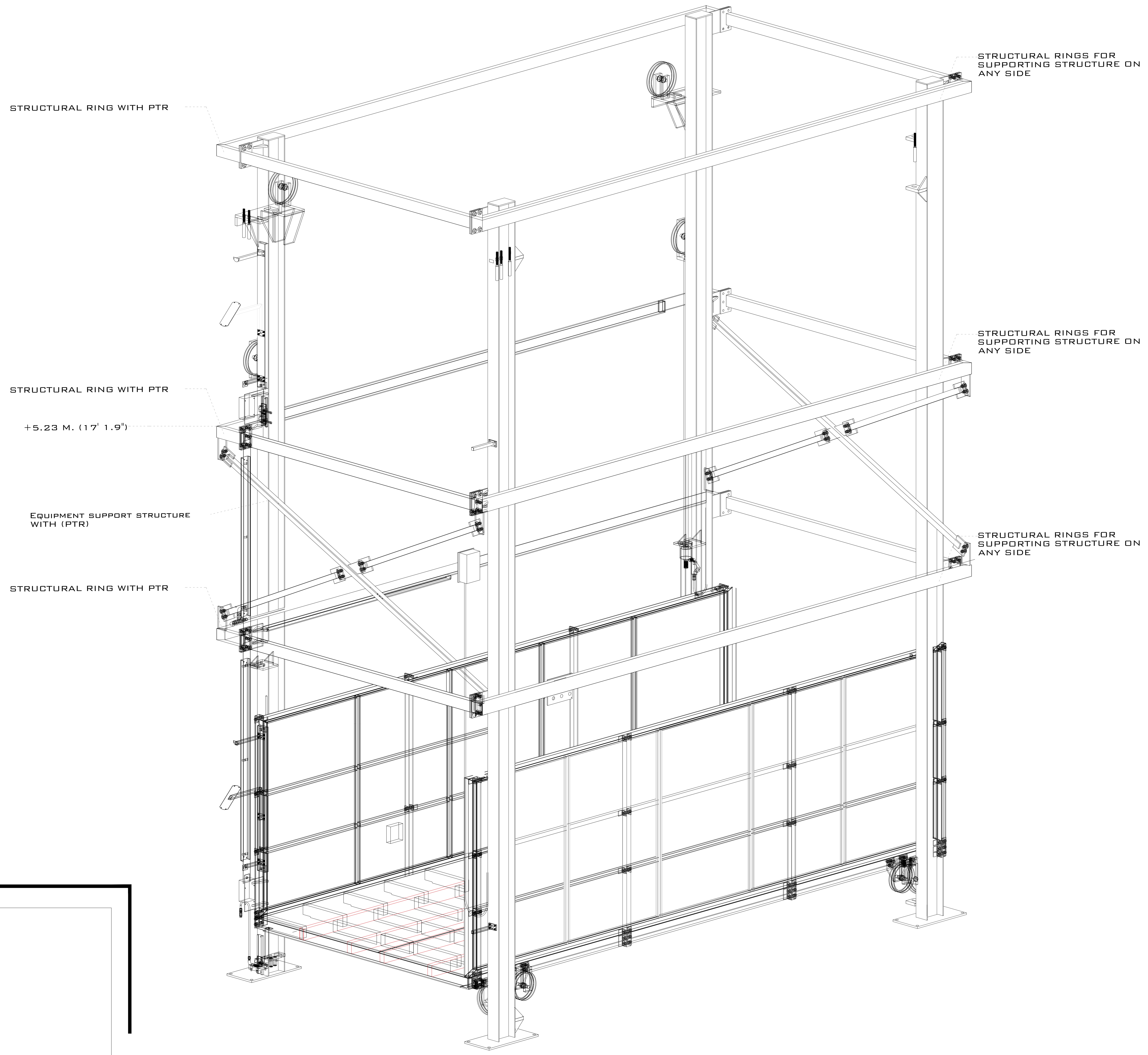
CLIENT'S SIGNATURE: \_\_\_\_\_

REVISION	DATE	OBSERVATION
0	15/03/2023	LIBERACION DE GUIA MECANICA
1	03/07/2023	CHANGED ELEVATION, PIT SIZES, DEFINITION WALLS TIPE AND FREE HIGH OF HYDRAULIC DOOR



**EUA-004-L**

**ADDITIONAL FEATURES**



**NOTES**

# FROM CUSTOMER: \_\_\_\_\_

BUSINESS NAME: 41 BANCKER STREET PROJECT

NAME: 41 BANCKER STREET PROJECT

LOCATION: \_\_\_\_\_

ELEVATOR: VOX EVOLUTION

ELEVATION: 5.23 MTS (17' 1.9")

No.OF LEVELS: 2

BURDEN: 3500 KG (7716.2 LBS)

PIPELINE: GROSS

UH: 10 HP

SIGNATURE SELLER: ING. IVAN RICARDO JURY MADRIGAL

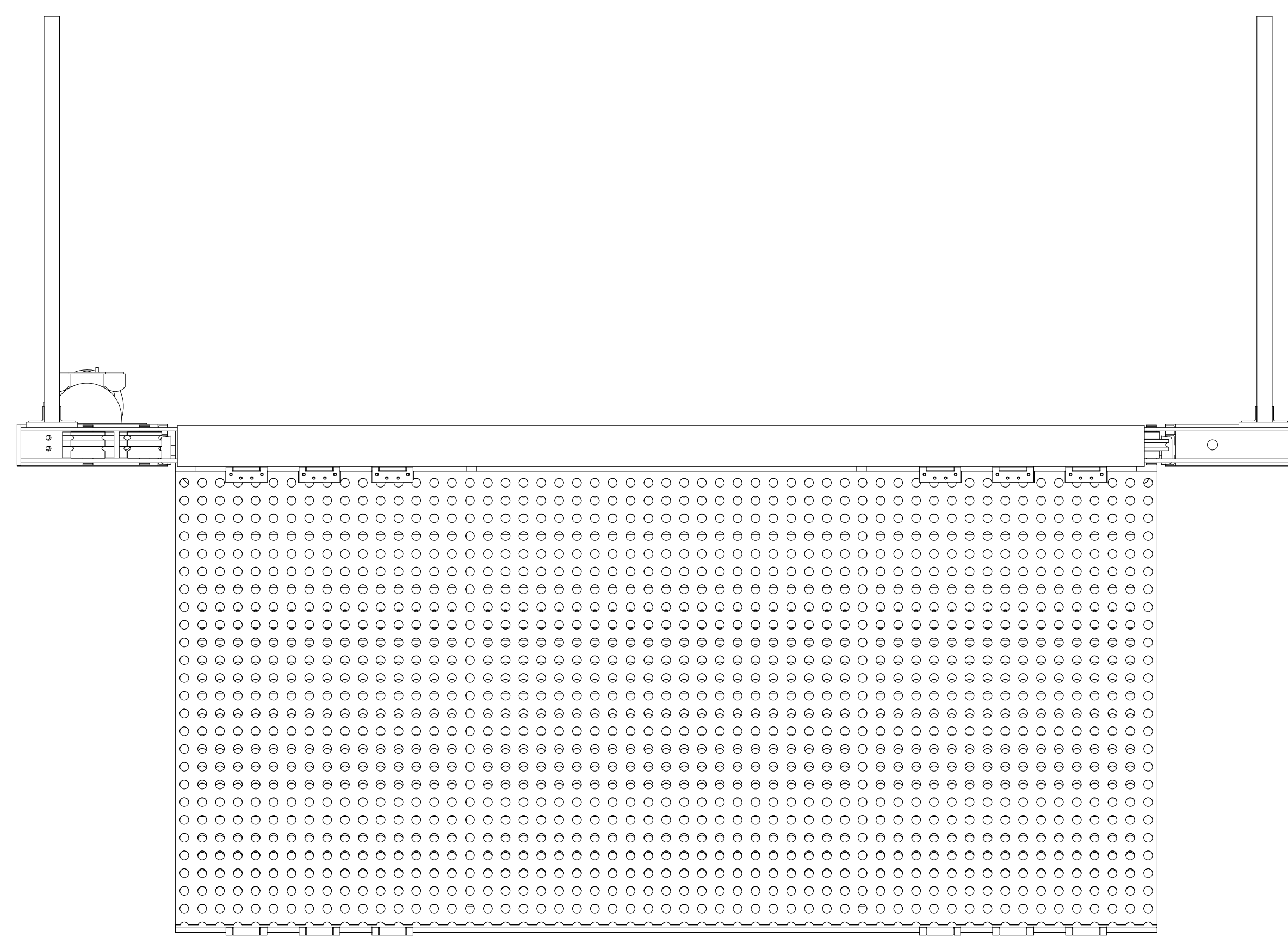
CLIENT'S SIGNATURE: \_\_\_\_\_

REVISION	DATE	OBSERVATION
0	15/03/2023	LIBERACION DE GUIA MECANICA
1	03/07/2023	CHANGED ELEVATION, PIT SIZES, DEFINITION WALLS TIPE AND FREE HIGH OF HYDRAULIC DOOR

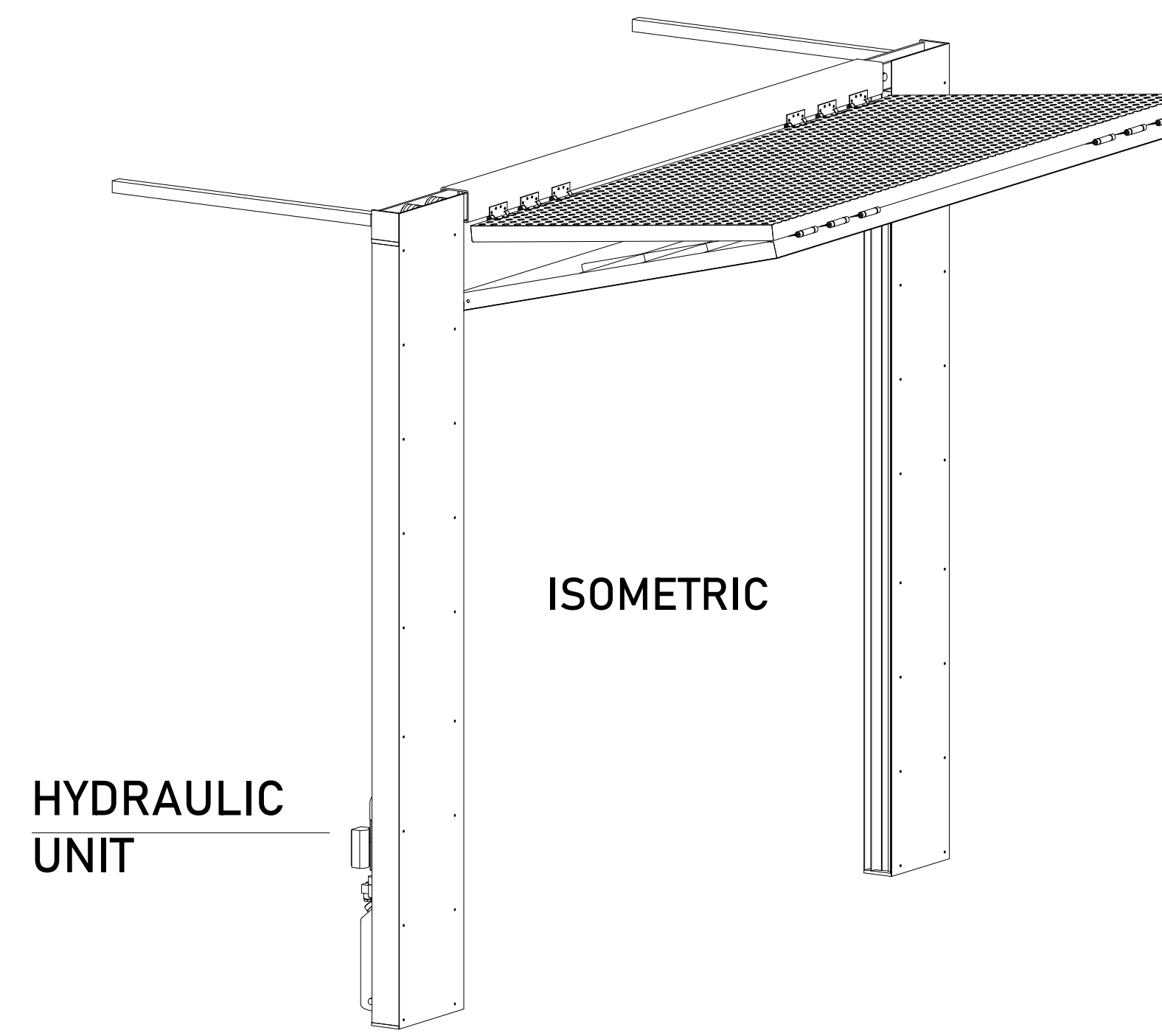
**TecnoRampa**

**EUA-005-L**

**ADDITIONAL FEATURES**



HYDRAULIC DOOR  
FLOOR PLAN

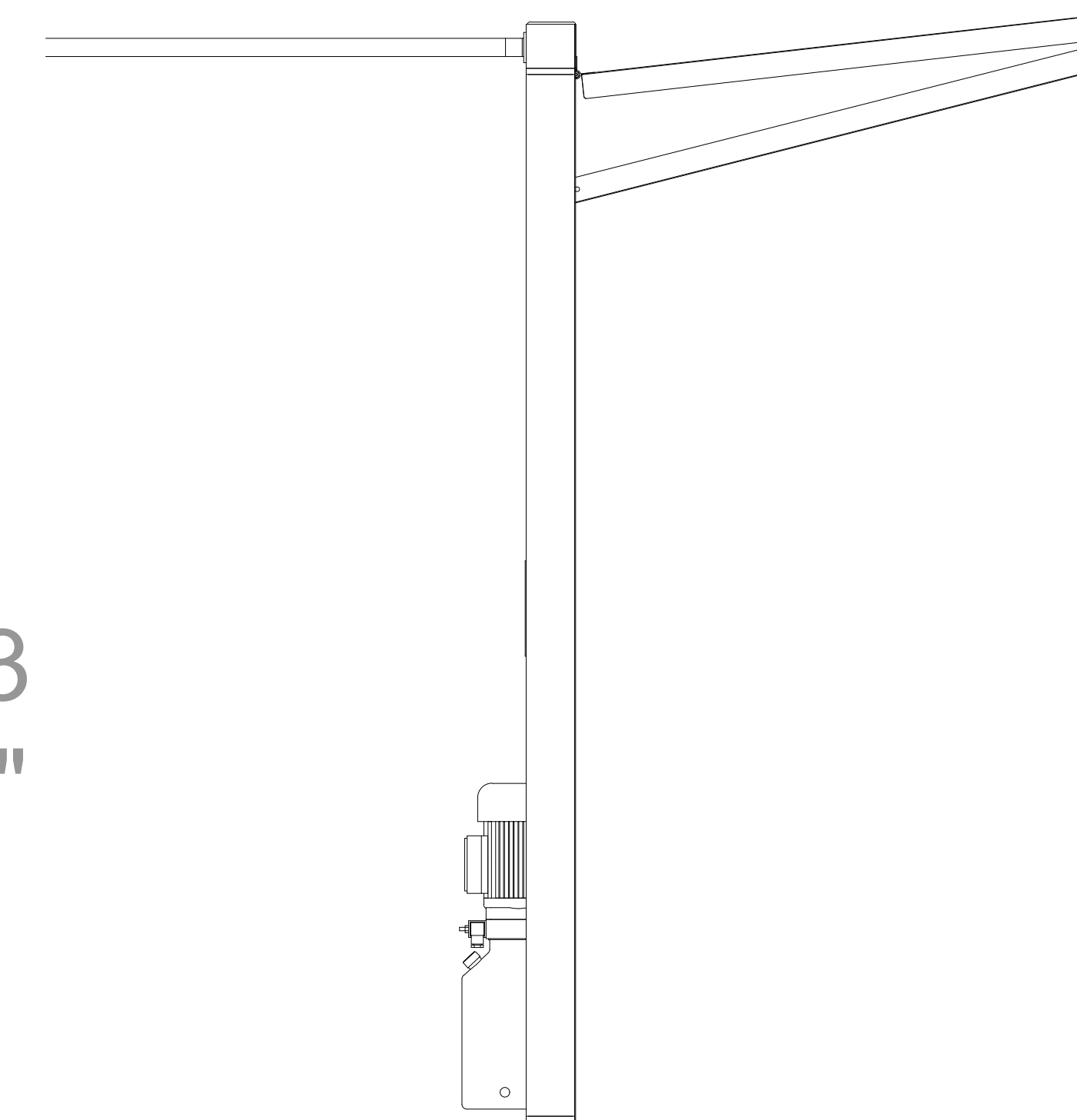
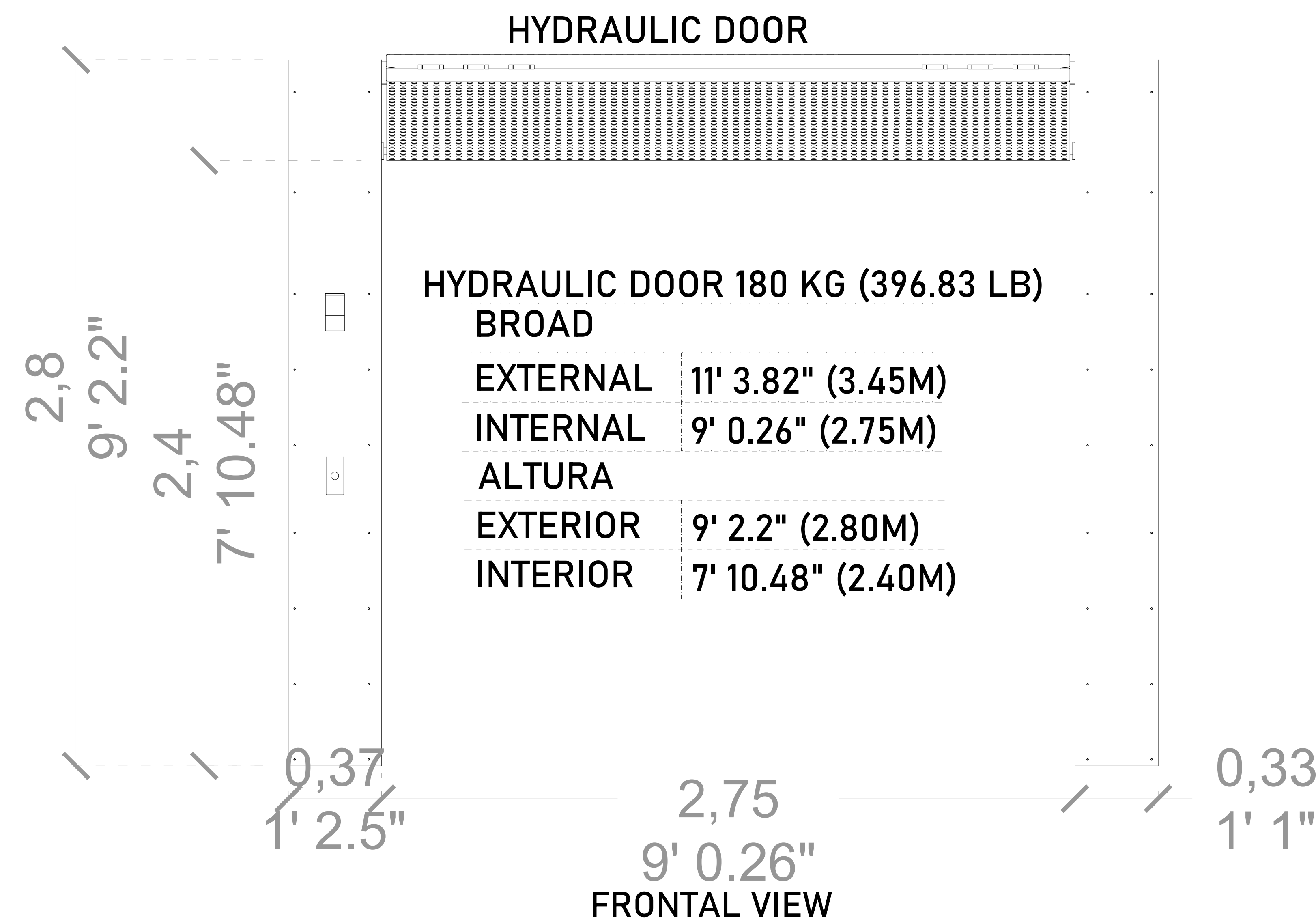


HYDRAULIC  
UNIT

ISOMETRIC

DESCRIPTION H.U. 2 HP	
POWERED	110 VCA
NUMBER PHASES	1
AMPERS	18.5
WATSS	1.5 KW
OIL TAPE	ISO 68

CALIBER DATA	
CALIBER	DISTANCE
8 AWG	0-10M
6 AWG	11-15 M
CALCULATING	16- EN ADELANTE



SIDE VIEW

1 HYDRAULIC DOOR

- MAXIMUM LOAD CAPACITY FOR FINISHES OF 180 KG.
- 2HP MOTOR, 110 VAC POWERED SUPPLY, NEUTRAL AND EARTH GROUND.
- WIRING CONNECTION FOR BUTTON PANEL MUST MATCH WITH THE U.H.
- PERFORATED SHEET FINISH.
- A FREE HEIGHT OF 2.90M IS NEEDED ON SITE FOR THE INSTALLATION OF THE HYDRAULIC DOORS.

NOTE: THE DOOR IS FIXED TO THE STRUCTURE OF THE ELEVATOR AND IT IS FIXED TO THE FLOOR WITH STUDS

NOTES

# FROM CUSTOMER: \_\_\_\_\_

BUSINESS NAME: 41 BANCKER STREET PROJECT

NAME: 41 BANCKER STREET PROJECT

LOCATION: \_\_\_\_\_

ELEVATOR: VOX EVOLUTION

ELEVATION: 5.23 MTS (17' 1.9")

No.OF LEVELS: 2

BURDEN: 3500 KG (7716.2 LBS)

PIPELINE: GROSS

UH: 10 HP

SIGNATURE SELLER: ING. IVAN RICARDO JURY MADRIGAL

CLIENT'S SIGNATURE: \_\_\_\_\_

REVISION	DATE	OBSERVATION
0	15/03/2023	LIBERACION DE GUIA MECANICA
1	03/07/2023	CHANGED ELEVATION, PIT SIZES, DEFINITION WALLS TIPE AND FREE HIGH OF HYDRAULIC DOOR

**TecnoRampa**

EUA-006-L

ADDITIONAL FEATURES