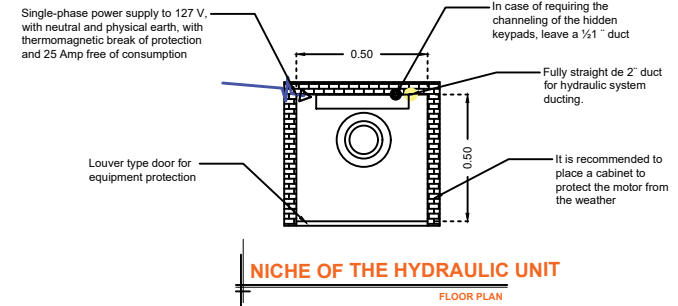
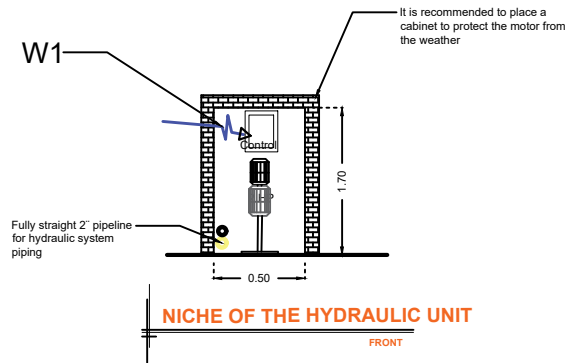


**DESCRIPCIÓN**

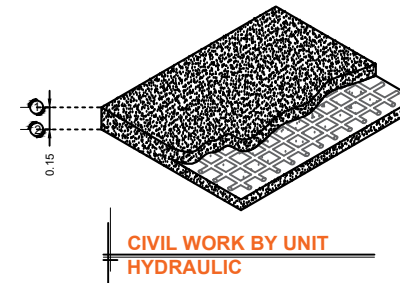
**W1-**

SINGLE-PHASE POWER SUPPLY TO 127 V, WITH NEUTRAL AND PHYSICAL EARTH, WITH THERMOMAGNETIC PROTECTION BREAK 1 X 25 AMP FREE OF CONSUMPTION

- SECURITY SHIELD
- EMERGENCY STOP WITH KEY
- GENERATOR
- CHANNELED BY TECNORAMPA
- DISTANCE BETWEEN ELEVATOR AND HYDRAULIC UNIT 3.00M



HYDRAULIC UNIT DESCRIPTION	
FEEDING	110 VCA
NUMBER OF PHASES	1
AMPERS OF CONSUMPTION	18.5000
WATTS OF CONSUMPTION	1.5 KW
TYPE OF OIL	ISO 68



BUSINESS NAME: JANE SALLIS

ELEVATOR: **DISCAPACITADOS**

ARCHITECT:  
Arq. Salvador Silva S.

FIRMA:

CUSTOMER NUMBER: 17319-6575  
NAME: Jane Sallis

TYPE: **SEMICOMPLETA**

WEIGHT: 500 KG  
UH: 2 HP

LOCATION: Prol. 5 de Mayo #6 Casa Int. A-5 Col. Allende, San Miguel de Allende Gto

ELEVATION: 7.47 MTS  
STATION: 2

PIPELINE: Gruesa

ELECTROHYDRAULIC

**GTO-003-L**